

Service Manual

SR5000/N1B, /K1B, /K1G, /U1B, /U1G

AV Surround receiver

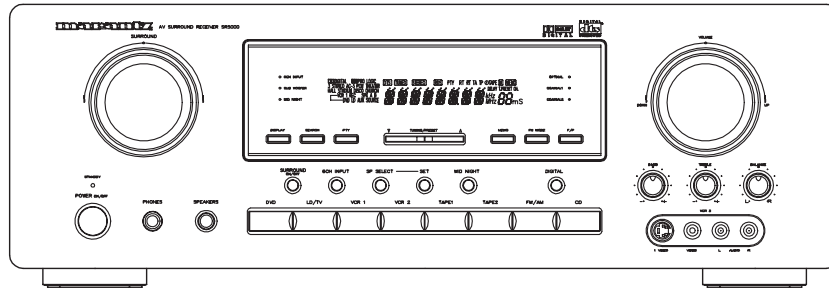


TABLE OF CONTENTS

1.	TECHNICAL SPECIFICATION	1
2.	WIRING DIAGRAM	2
3.	BLOCK DIAGRAM	3
4.	SCHEMATIC DIAGRAM AND PARTS LOCATION	5
5.	MICROPROCESSOR AND IC DATA	33
6.	ADJUSTMENT PROCEDURE	37
7.	EXPLODED VIEW AND PARTS LIST	40
8.	ELECTRICAL PARTS LIST	43

Please use this service manual with referring to the user guide (D.F.U) without fail.

marantz®

SR5000

MARANTZ DESIGN AND SERVICE

Using superior design and selected high grade components, **MARANTZ** company has created the ultimate in stereo sound. Only original **MARANTZ** parts can insure that your **MARANTZ** product will continue to perform to the specifications for which it is famous.

Parts for your **MARANTZ** equipment are generally available to our National Marantz Subsidiary or Agent.

ORDERING PARTS :

Parts can be ordered either by mail or by Fax.. In both cases, the correct part number has to be specified.

The following information must be supplied to eliminate delays in processing your order :

1. Complete address
2. Complete part numbers and quantities required
3. Description of parts
4. Model number for which part is required
5. Way of shipment
6. Signature : any order form or Fax. must be signed, otherwise such part order will be considered as null and void.

USA

MARANTZ AMERICA, INC.
440 MEDINAH ROAD
ROSELLE, ILLINOIS 60172
USA
PHONE : 630 - 307 - 3100
FAX : 630 - 307 - 2687

EUROPE / TRADING

MARANTZ EUROPE B.V.
P.O.BOX 80002, BUILDING SFF2
5600 JB EINDHOVEN
THE NETHERLANDS
PHONE : +31 - 40 - 2732241
FAX : +31 - 40 - 2735578

BRAZIL

MARANTZ BRAZIL
CAIXA POSTAL 21462
CEP 04698-970
SAO PAULO, SP, BRAZIL
PHONE : 0800 - 123123(Discagem Direta Gratuita)
FAX : +55 11 534. 8988

PROFESSIONAL AMERICAS

SUPERSCOPE TECHNOLOGIES, INC.
MARANTZ PROFESSIONAL PRODUCTS
2640 WHITE OAK CIRCLE, SUITE A
AURORA, ILLINOIS 60504 USA
PHONE : 630 - 820 - 4800
FAX : 630 - 820 - 8103

CANADA

LENBROOK INDUSTRIES LIMITED
633 GRANITE COURT,
PICKERING, ONTARIO L1W 3K1
CANADA
PHONE : 905 - 831 - 6333
FAX : 905 - 831 - 6936

AUSTRALIA

JAMO AUSTRALIA PTY LTD
1 EXPO COURT, P.O. BOX 350
MT. WAVERLEY VIC 3149
AUSTRALIA
PHONE : +61 - 3 - 9543 - 1522
FAX : +61 - 3 - 9543 - 3677

THAILAND

MRZ STANDARD CO.,LTD
746 - 754 MAHACHAI ROAD.,
WANGBURAPAPIROM, PHRANAKORN,
BANGKOK, 10200 THAILAND
PHONE : +66 - 2 - 222 9181
FAX : +66 - 2 - 224 6795

SINGAPORE

WO KEE HONG (S) PTE LTD
WO KEE HONG CENTRE
NO.23, LORONG 8, TOA PAYOH
SINGAPORE 319257
PHONE : +65 2544555
FAX : +65 2502213

TAIWAN

PAI- YUING CO., LTD.
6 TH FL NO, 148 SUNG KIANG ROAD,
TAIPEI, 10429, TAIWAN R.O.C.
PHONE : +886 - 2 - 25221304
FAX : +886 - 2 - 25630415

MALAYSIA

WO KEE HONG ELECTRONICS SDN. BHD.
NO. 102 JALAN SS 21/35, DAMANSARA
UTAMA, 47400 PETALING JAYA
SELANGOR DARUL EHSAN, MALAYSIA
PHONE : +60 3 - 7184666
FAX : +60 3 - 7173828

JAPAN *Technical*

MARANTZ JAPAN, INC.
35- 1, 7- CHOME, SAGAMIONO
SAGAMIHARA - SHI, KANAGAWA
JAPAN 228-8505
PHONE : +81 42 748 1013
FAX : +81 42 748 9190

日本マランツ株式会社

本社 〒228-8505
神奈川県相模原市相模大野7-35-1
営業本部 〒150-0022
東京都渋谷区恵比寿南1-11-9

KOREA

MK ENTERPRISES LTD.
ROOM 604/605, ELECTRO-OFFICETEL, 16-58,
3GA, HANGANG-RO, YONGSAN-KU, SEOUL
KOREA
PHONE : +822 - 3232 - 155
FAX : +822 - 3232 - 154

SHOCK, FIRE HAZARD SERVICE TEST :

CAUTION : After servicing this appliance and prior to returning to customer, measure the resistance between either primary AC cord connector pins (with unit NOT connected to AC mains and its Power switch ON), and the face or Front Panel of product and controls and chassis bottom.

Any resistance measurement less than 1 Megohms should cause unit to be repaired or corrected before AC power is applied, and verified before it is return to the user/customer.

Ref. UL Standard No. 1492.

In case of difficulties, do not hesitate to contact the Technical Department at above mentioned address.

1. TECHNICAL SPECIFICATIONS

FM TUNER SECTION

FREQUENCY RANGE 87.5 - 108.0 MHz
USABLE SENSITIVITY IHF 0.9 μ V/10.8 dB

SIGNAL TO NOISE RATIO MONO/STEREO 70/65 dB
DISTORTION MONO/STEREO 0.2/0.5 %
STEREO SEPARATION 1 kHz 45 dB
A.C.S \pm 400 kHz 55 dB
IMAGE REJECTION 98 MHz 50 dB
TUNER OUTPUT LEVEL 1 kHz, \pm 40kHz Dev 600 mV (/N1B, /K1B)
..... \pm 75 kHz (/U1B,/U1G)

AM TUNER SECTION

FREQUENCY RANGE 522 - 1620 kHz (/N1B, /K1B,/K1G)
..... 520 - 1710 kHz (/U1B,/U1G)
USABLE SENSITIVITY LOOP 500 μ V/m
SIGNAL TO NOISE RATIO 50 dB (at 94 dB/m)
DISTORTION 1 kHz, 30 % Mod.0.5 %
SELECTIVITY \pm 10 kHz 25 dB (at 85 dB)

AUDIO SECTION

RATED POWER (5ch drive)
Front 20 Hz - 20 kHz 8 ohms 70 W/ch
Center 1 kHz 8 ohms 70 W
Surround 1 kHz 8 ohms 70 W/ch
THD Front 20 Hz - 20 kHz 8 ohms 0.09 %
INPUT SENSITIVITY/IMPEDANCE
LINEAR 200 mV/47k ohms
SIGNAL TO NOISE RATIO (IHF-A)
LINEAR 92 dB

VIDEO SECTION

Input/Output Level/Impedance 1.0 Vp-p/75 ohms

OTHERS

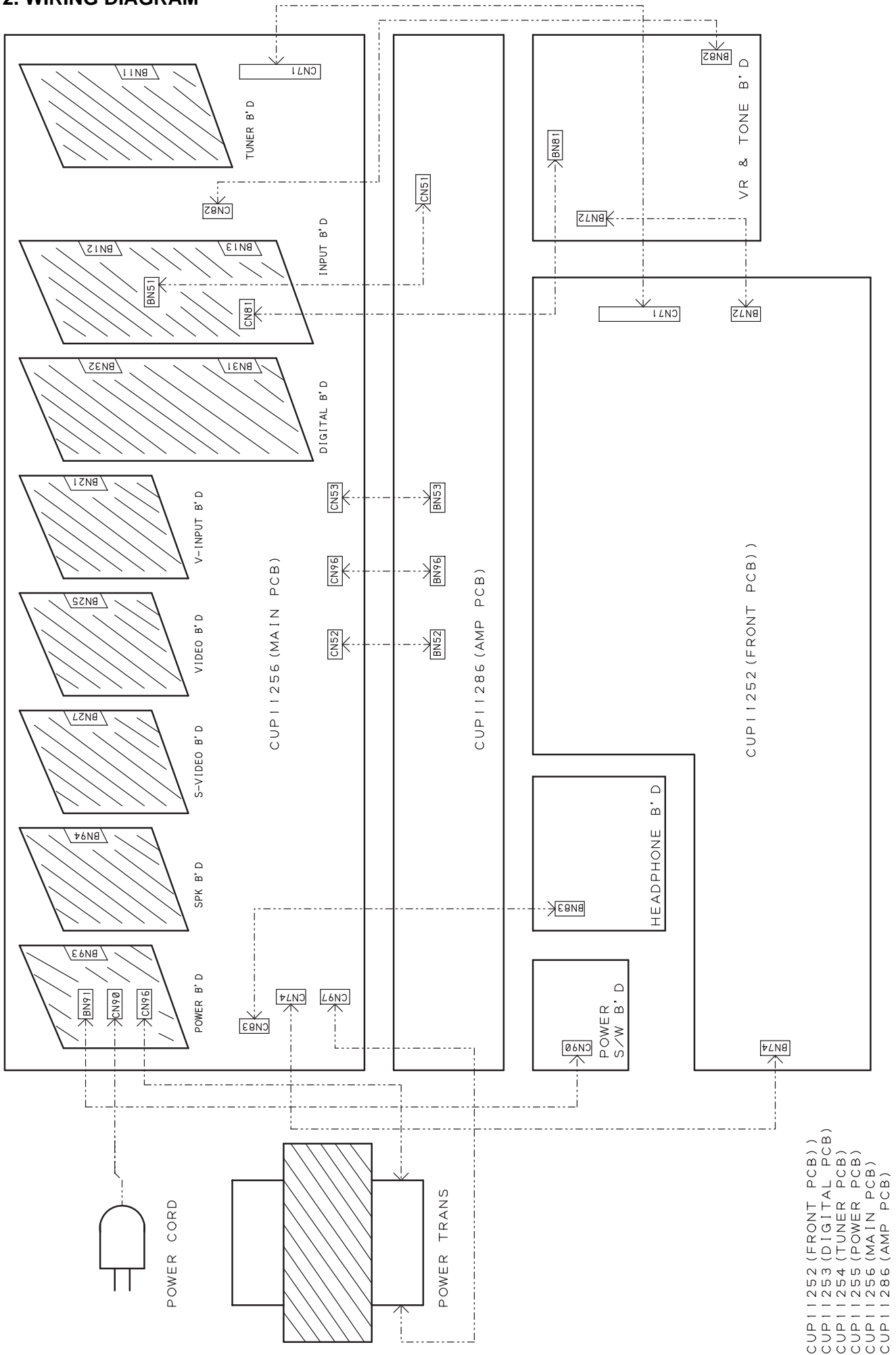
POWER SUPPLY AC 230V 50 Hz (/N1B)
AC 220V 50 Hz (/K1B,/K1G)
AC 120V 60 Hz (/U1B,/U1G)
POWER CONSUMPTION 380 W (/N1B)
380 W (/K1B,/K1G)
3.8 A (/U1B,/U1G)

DIMENSIONS (MAX)

WIDTH 440 mm
HEIGHT 153 mm
DEPTH 425 mm
WEIGHT 13.5 kg

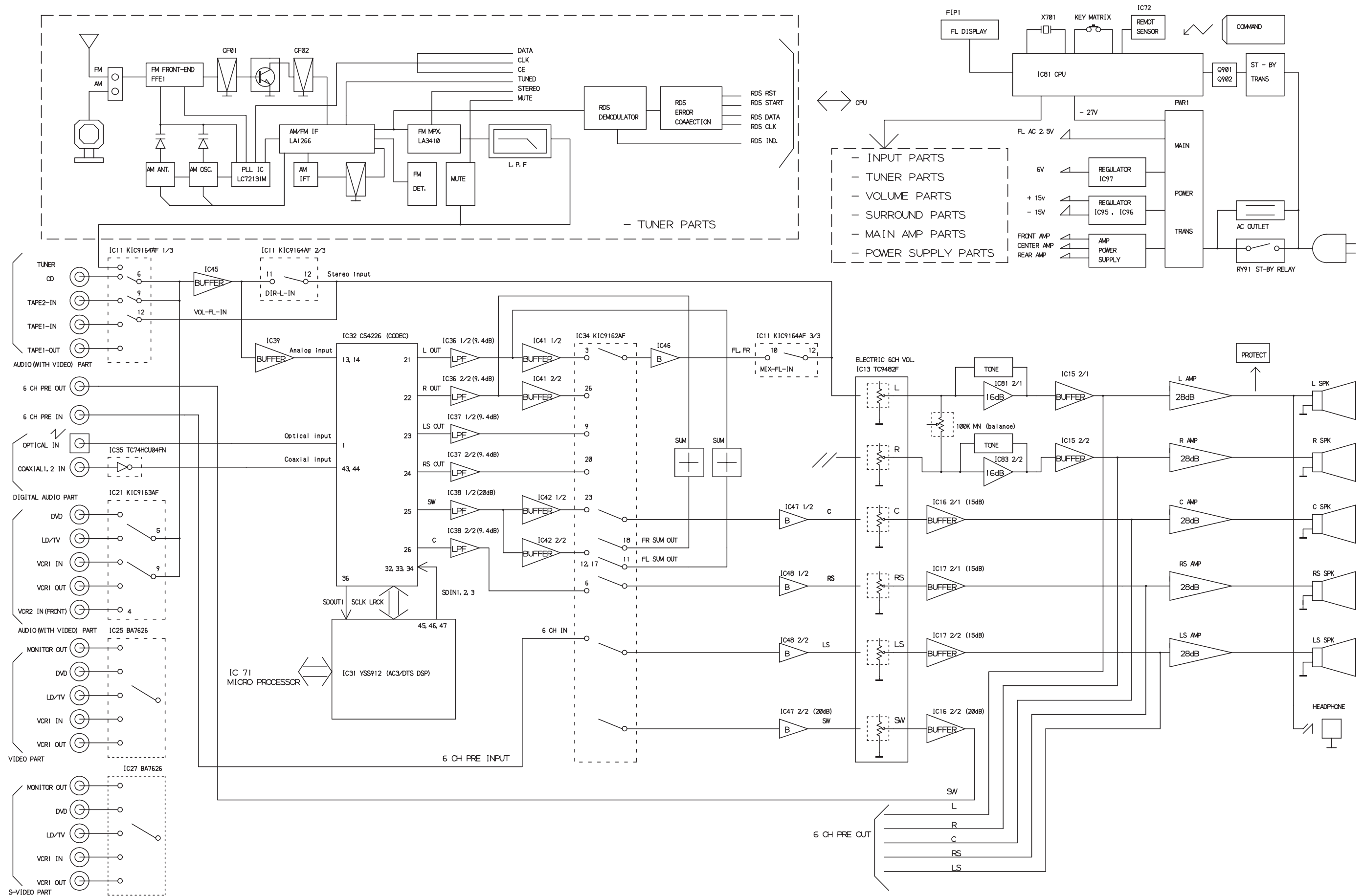
SPECIFICATIONS SUBJECT TO CHANGE WITHOUT PRIOR NOTICE

2. WIRING DIAGRAM

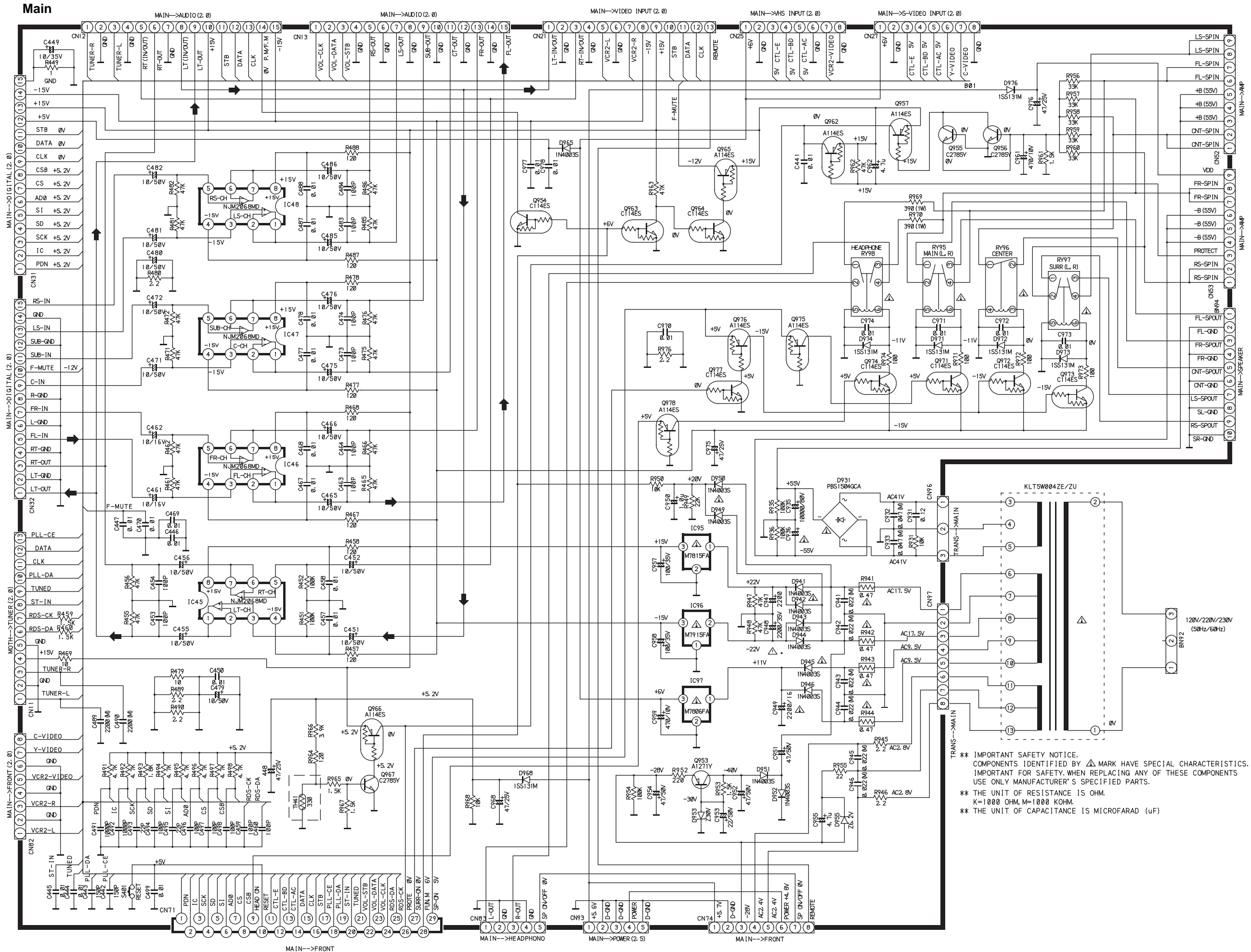


CUPI1252 (FRONT PCB)
 CUPI1253 (DIGITAL PCB)
 CUPI1254 (TUNER PCB)
 CUPI1255 (POWER PCB)
 CUPI1256 (MAIN PCB)
 CUPI1286 (AMP PCB)

3. BLOCK DIAGRAM



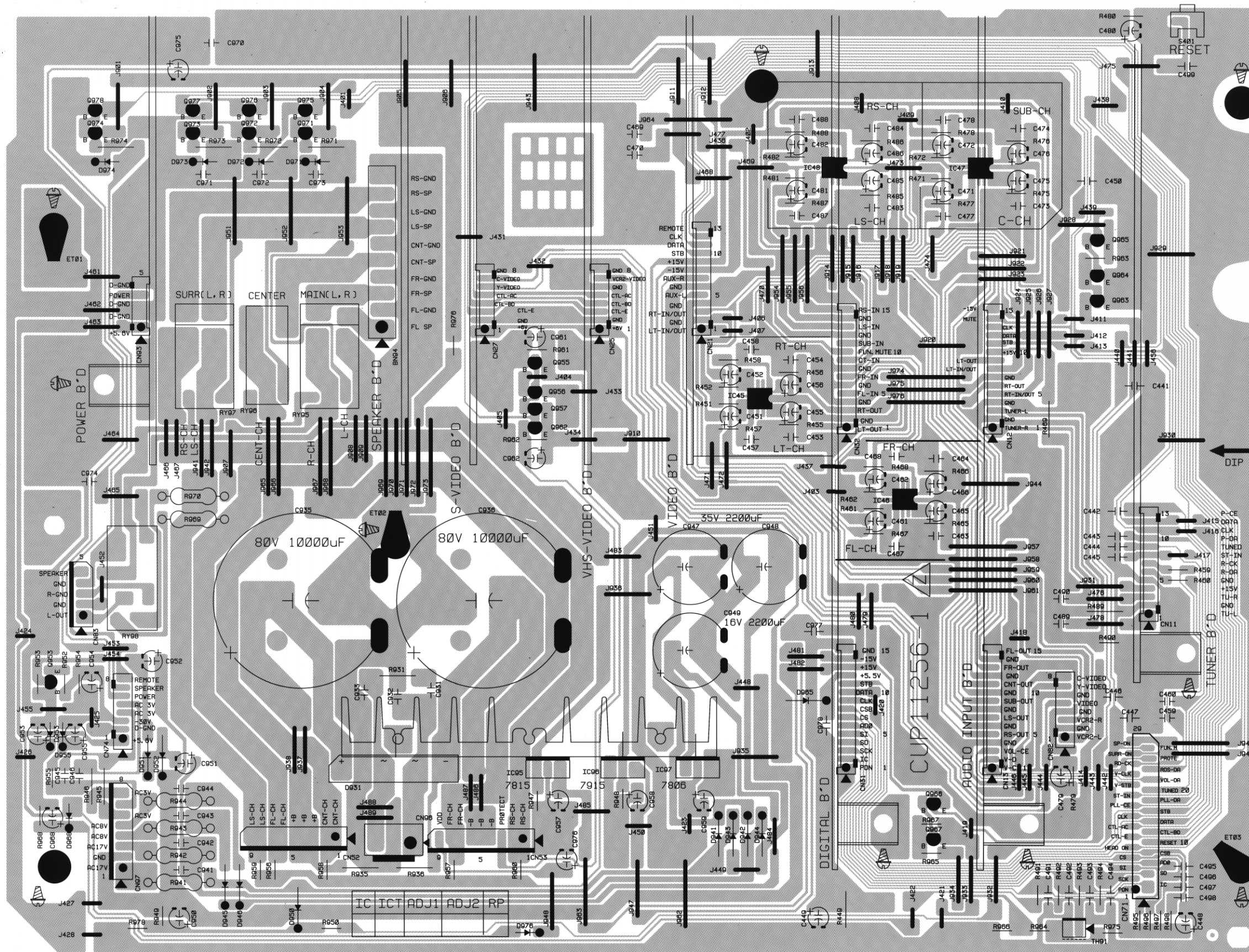
4. SCHEMATIC DIAGRAM AND PARTS LOCATION



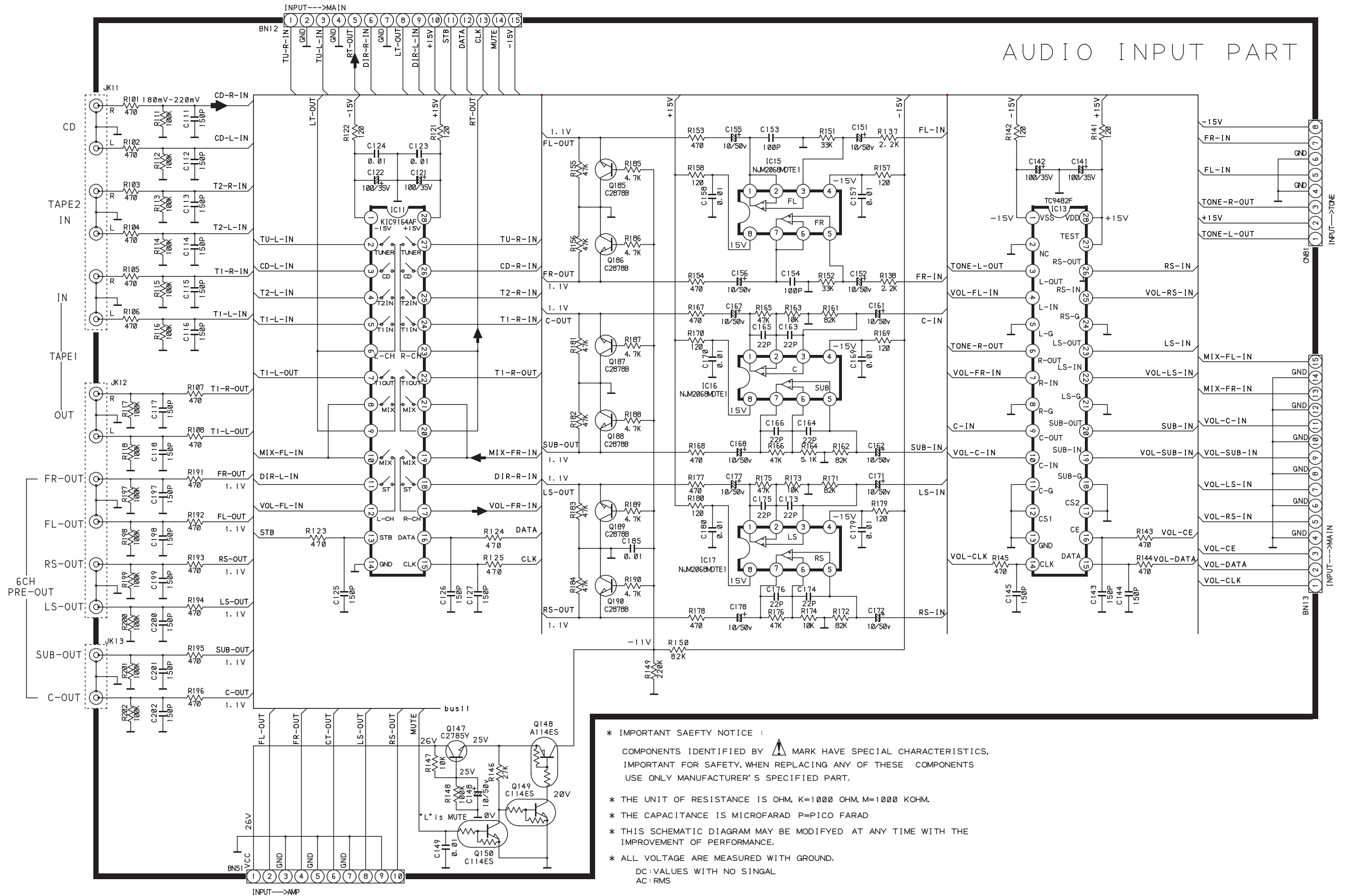
** IMPORTANT SAFETY NOTICE.
 COMPONENTS IDENTIFIED BY Δ MARK HAVE SPECIAL CHARACTERISTICS.
 IMPORTANT FOR SAFETY. WHEN REPLACING ANY OF THESE COMPONENTS
 USE ONLY MANUFACTURER'S SPECIFIED PARTS.
 ** THE UNIT OF RESISTANCE IS OHM.
 K=1000 OHM, M=1000 KOHM.
 ** THE UNIT OF CAPACITANCE IS MICROFARAD (μ F)

Main Board

- | | | | | | | | |
|------|------|------|------|------|------|------|------|
| Q953 | Q978 | Q977 | Q976 | Q975 | Q955 | Q966 | Q965 |
| Q974 | Q973 | Q972 | Q971 | Q956 | Q967 | Q964 | Q963 |
| | | | | Q957 | IC95 | IC96 | IC97 |
| | | | | Q962 | IC45 | IC48 | IC46 |



Audio Input / Volume



AUDIO INPUT PART

* IMPORTANT SAEFTY NOTICE :

COMPONENTS IDENTIFIED BY MARK HAVE SPECIAL CHARACTERISTICS. IMPORTANT FOR SAFETY, WHEN REPLACING ANY OF THESE COMPONENTS USE ONLY MANUFACTURER'S SPECIFIED PART.

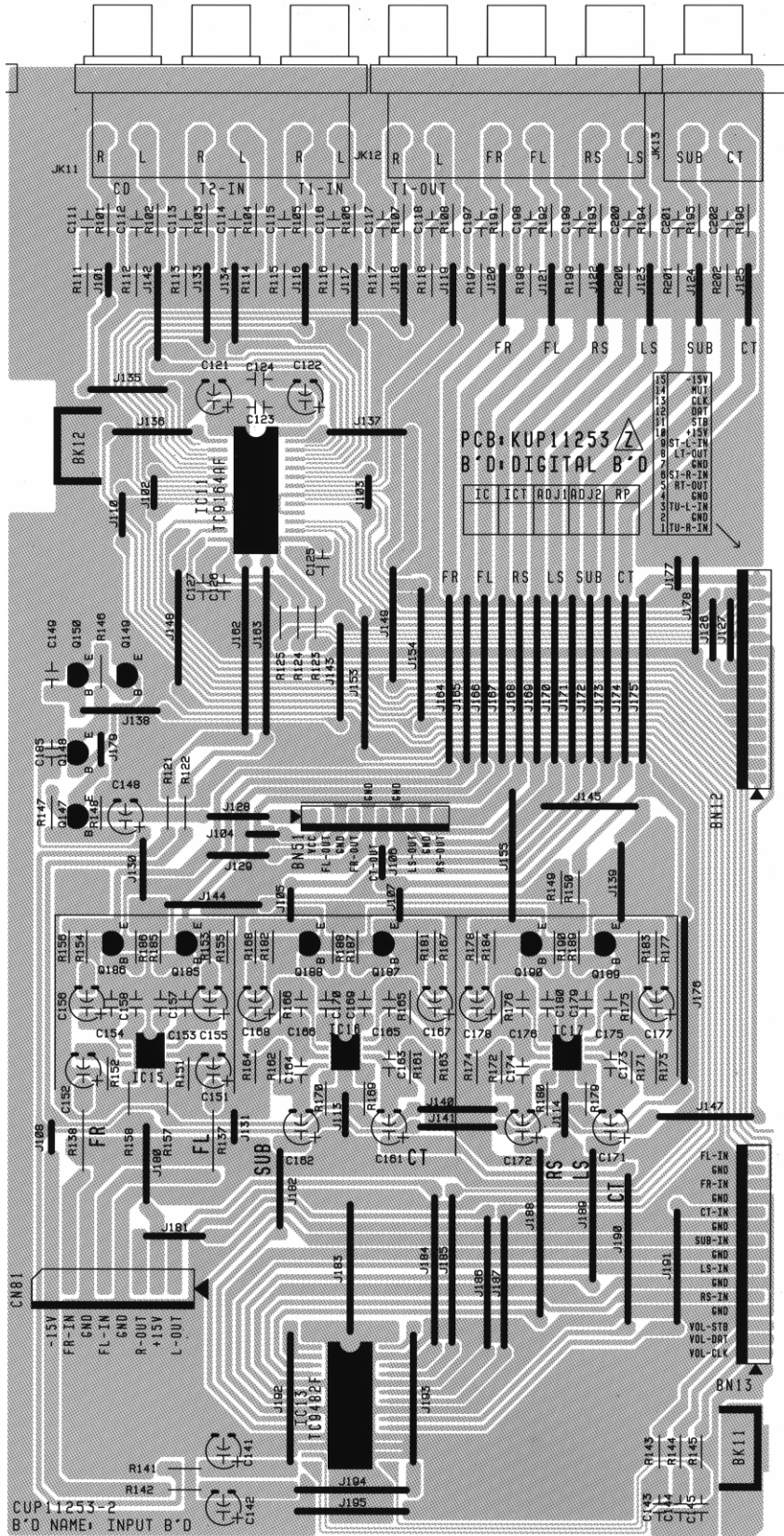
* THE UNIT OF RESISTANCE IS OHM, K=1000 OHM, M=1000 KOHM.

* THE CAPACITANCE IS MICROFARAD P=PICO FARAD

* THIS SCHEMATIC DIAGRAM MAY BE MODIFIED AT ANY TIME WITH THE IMPROVEMENT OF PERFORMANCE.

* ALL VOLTAGE ARE MEASURED WITH GROUND.
DC: VALUES WITH NO SINGAL
AC: RMS

Audio In / Volume Board



IC11

Q150, Q149

Q148

Q147

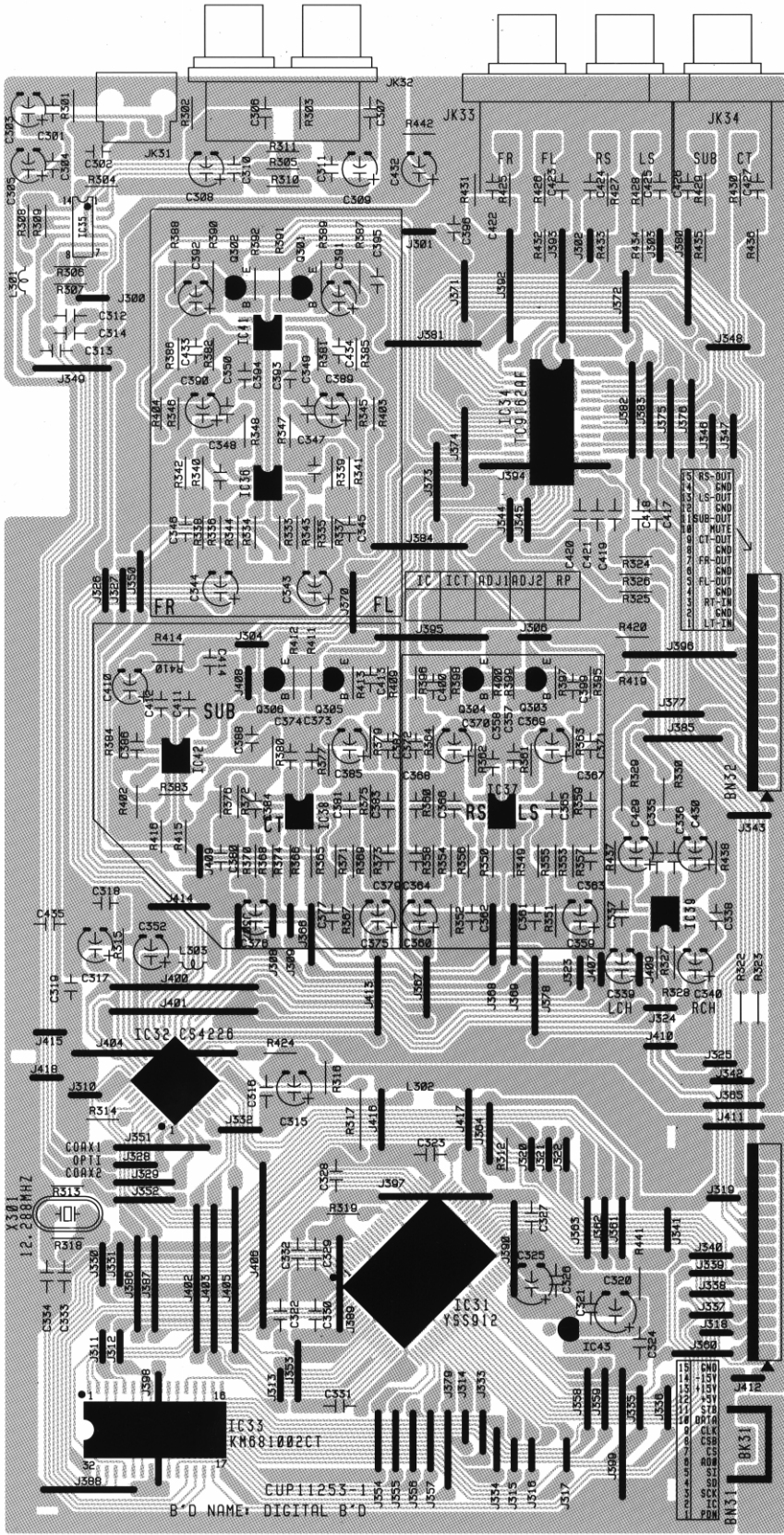
Q185, Q186, Q187
 Q188, Q189, Q190

IC15, IC16, IC17

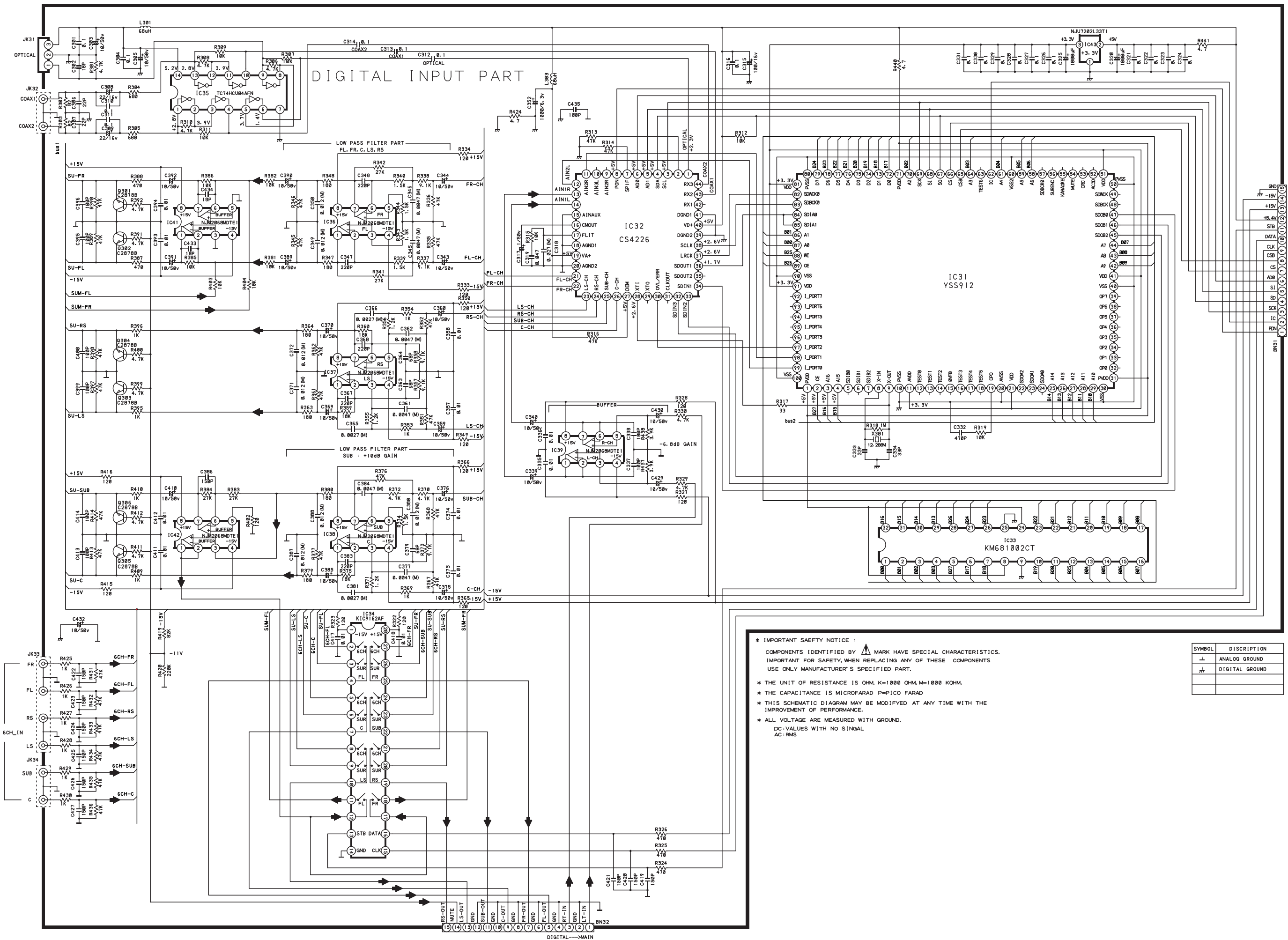
IC13


Digital In / DSP Board

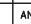
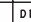
- IC35
- Q302, Q301
- IC41
- IC34
- IC36
- Q306, Q305
- Q304, Q303
- IC42
- IC38, IC37
- IC39
- IC32
- IC31
- IC33



Digital Input / DSP



*** IMPORTANT SAFETY NOTICE :**
 COMPONENTS IDENTIFIED BY  MARK HAVE SPECIAL CHARACTERISTICS. IMPORTANT FOR SAFETY, WHEN REPLACING ANY OF THESE COMPONENTS USE ONLY MANUFACTURER'S SPECIFIED PART.
 * THE UNIT OF RESISTANCE IS OHM, K=1000 OHM, M=1000 KOHM.
 * THE CAPACITANCE IS MICROFARAD P=PICO FARAD
 * THIS SCHEMATIC DIAGRAM MAY BE MODIFIED AT ANY TIME WITH THE IMPROVEMENT OF PERFORMANCE.
 * ALL VOLTAGE ARE MEASURED WITH GROUND.
 DC: VALUES WITH NO SIGNAL
 AC: RMS

SYMBOL	DISCRIPTION
	ANALOG GROUND
	DIGITAL GROUND

Tuner (N1)

IC01: LA1265 (FM/AM)

NO.	VOLT	NO.	VOLT
1	2.5/1.0	13	STRQ
2	2.5/1.1	14	1.2/1.2
3	2.5/1.1	15	1.5/2.0
4	GND	16	1.5/0.6
5	12.1	17	0/1.2
6	12.1	18	2.5/2.0
7	12.1	19	1.5/1.6
8	0/5.0	20	0/12
9	3.9/3.9	21	4.0/3.7
10	FM IF	22	4.0/3.7
11	AM IF	23	4.0/3.7
12	3.1/3.1	24	3.1/2.3

IC02: LA3410 (ST/MO)

NO.	VOLT	NO.	VOLT
1	11.5	9	0.5/4.8
2	3.0	10	3.0/4.8
3	3.0	11	3.0
4	4.8	12	3.0
5	3.0	13	3.0
6	3.0	14	3.0
7	4.8	15	3.0
8	GND	16	3.5

IC03: NJM2068M

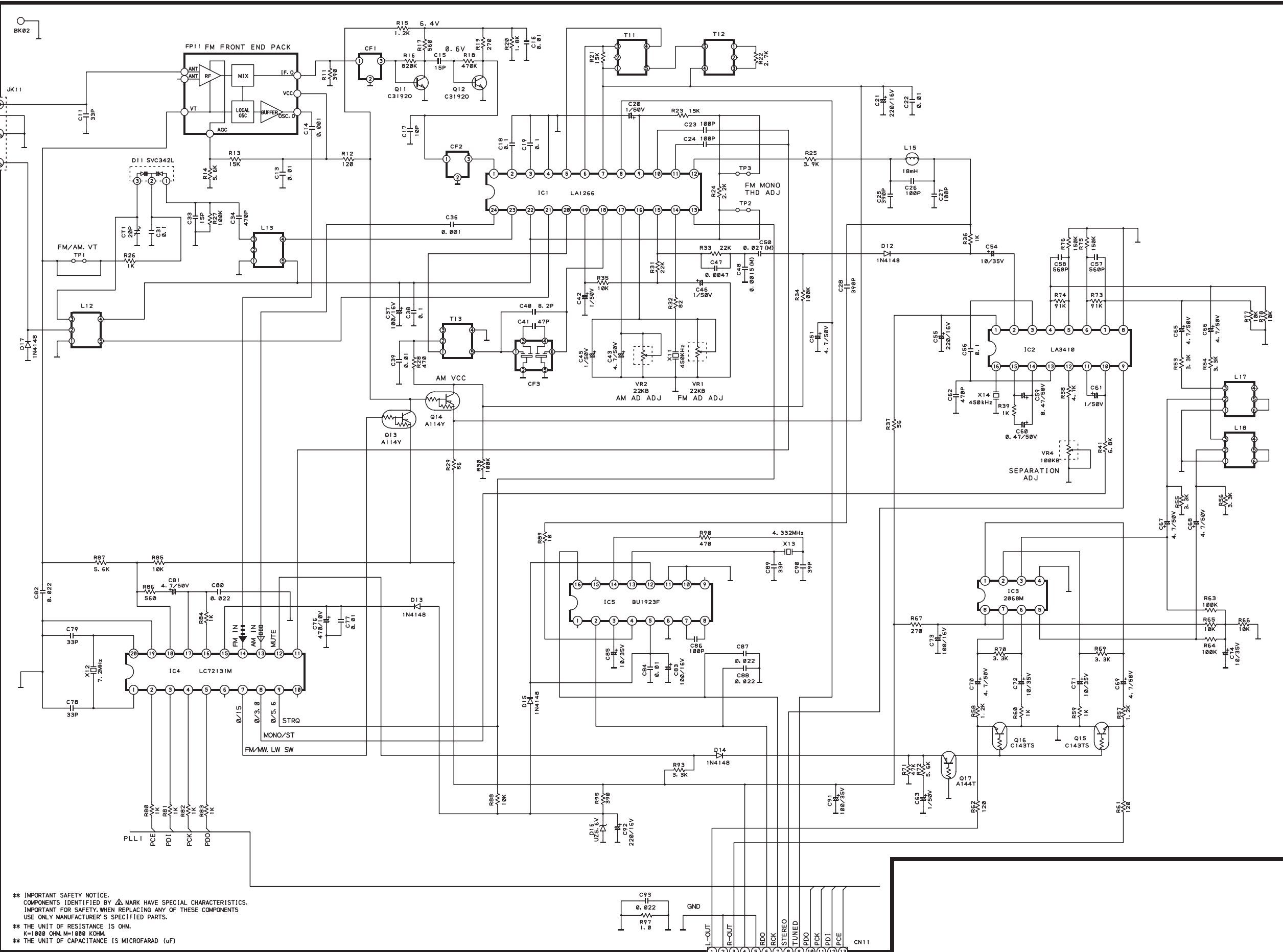
NO.	VOLT
1	14.0
2	7.0
3	7.0
4	7.0
5	GND
6	7.0
7	7.0
8	7.0
9	14.0

IC04: LC72131M (FM/AM)

NO.	VOLT	NO.	VOLT
1	7.2MHz	11	IF IN
2	CE	12	4.8
3	DATA 1	13	AM OSC
4	CK	14	FM OSC
5	DATA 0	15	4.8
6	NC	16	1.2
7	0/15	17	1.2
8	0/1.5	18	V. T
9	0/5.6	19	GND
10	NC	20	7.2MHz

IC05: BFU1923F (RDS)

NO.	VOLT	NO.	VOLT
1	1.6	9	OPEN
2	1.5	10	OPEN
3	OPEN	11	OPEN
4	1.5	12	0
5	2.4	13	DATA
6	2.5	14	CLOCK
7	3.0	15	1.5
8	1.2	16	1.1

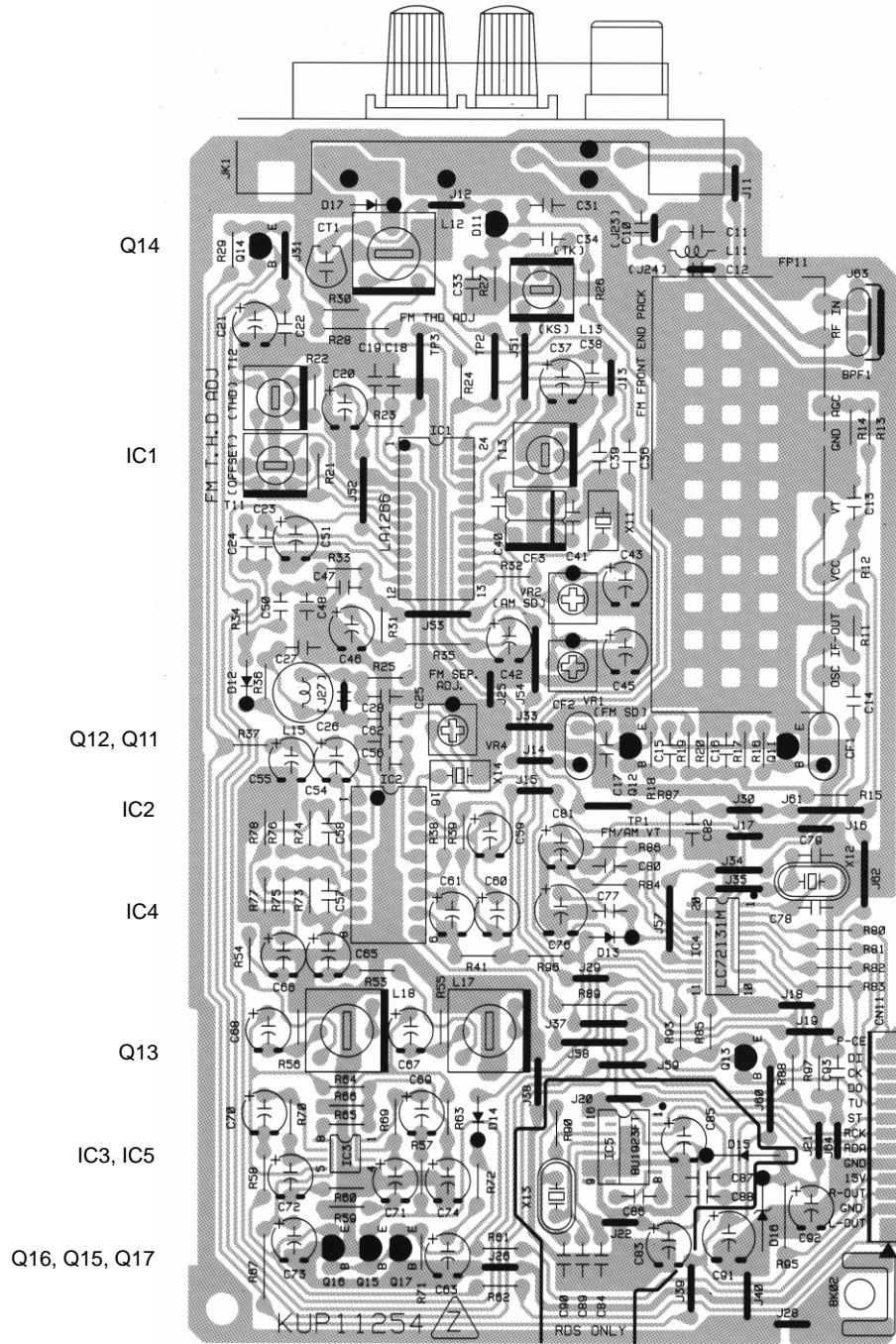


** IMPORTANT SAFETY NOTICE.
COMPONENTS IDENTIFIED BY Δ MARK HAVE SPECIAL CHARACTERISTICS.
IMPORTANT FOR SAFETY, WHEN REPLACING ANY OF THESE COMPONENTS
USE ONLY MANUFACTURER'S SPECIFIED PARTS.

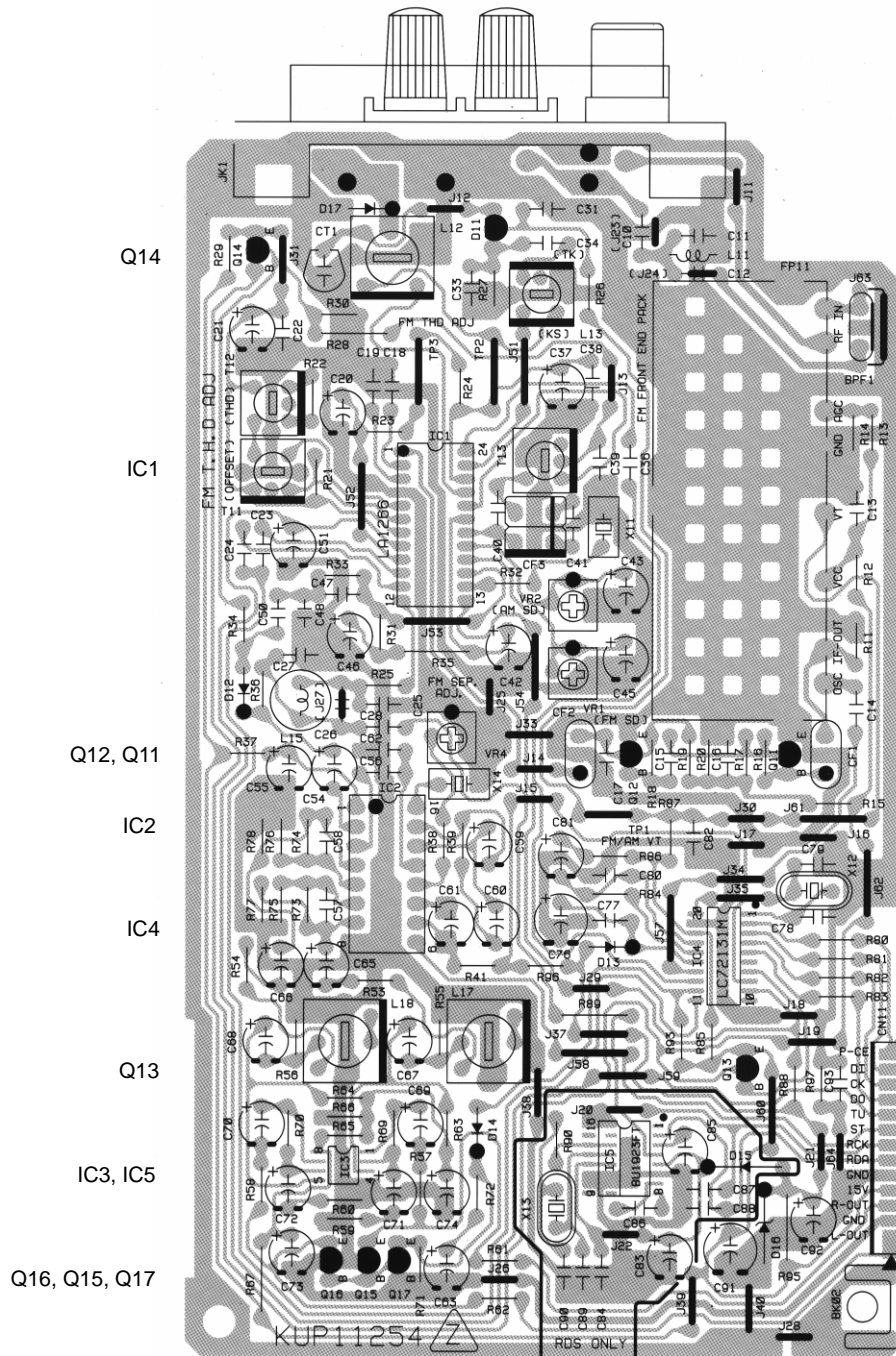
** THE UNIT OF RESISTANCE IS OHM.
K=1000 OHM, M=1000 KOHM.

** THE UNIT OF CAPACITANCE IS MICROFARAD (μ F)

Tuner Board



Tuner Board



Tuner (K1, /U1)

IC01: LA1266 (FM/AM)

NO.	VOLT	NO.	VOLT
1	2.5/1.0	13	STRQ
2	2.5/1.1	14	1.2/1.2
3	2.5/1.1	15	1.5/2.0
4	GND	16	1.5/0.6
5	12.1	17	0/1.2
6	12.1	18	2.5/2.0
7	12.1	19	1.5/1.6
8	0/5.0	20	0/1.2
9	3.9/3.9	21	4.0/3.7
10	FM IF	22	4.0/3.7
11	AM IF	23	4.0/3.7
12	3.1/3.1	24	3.1/2.3

IC02: LA3410 (ST/MO)

NO.	VOLT	NO.	VOLT
1	11.5	9	0.5/4.8
2	3.0	10	3.0/4.8
3	3.0	11	3.0
4	4.8	12	3.0
5	3.0	13	3.0
6	3.0	14	3.0
7	4.8	15	3.0
8	GND	16	3.5

IC03: NJM2068M

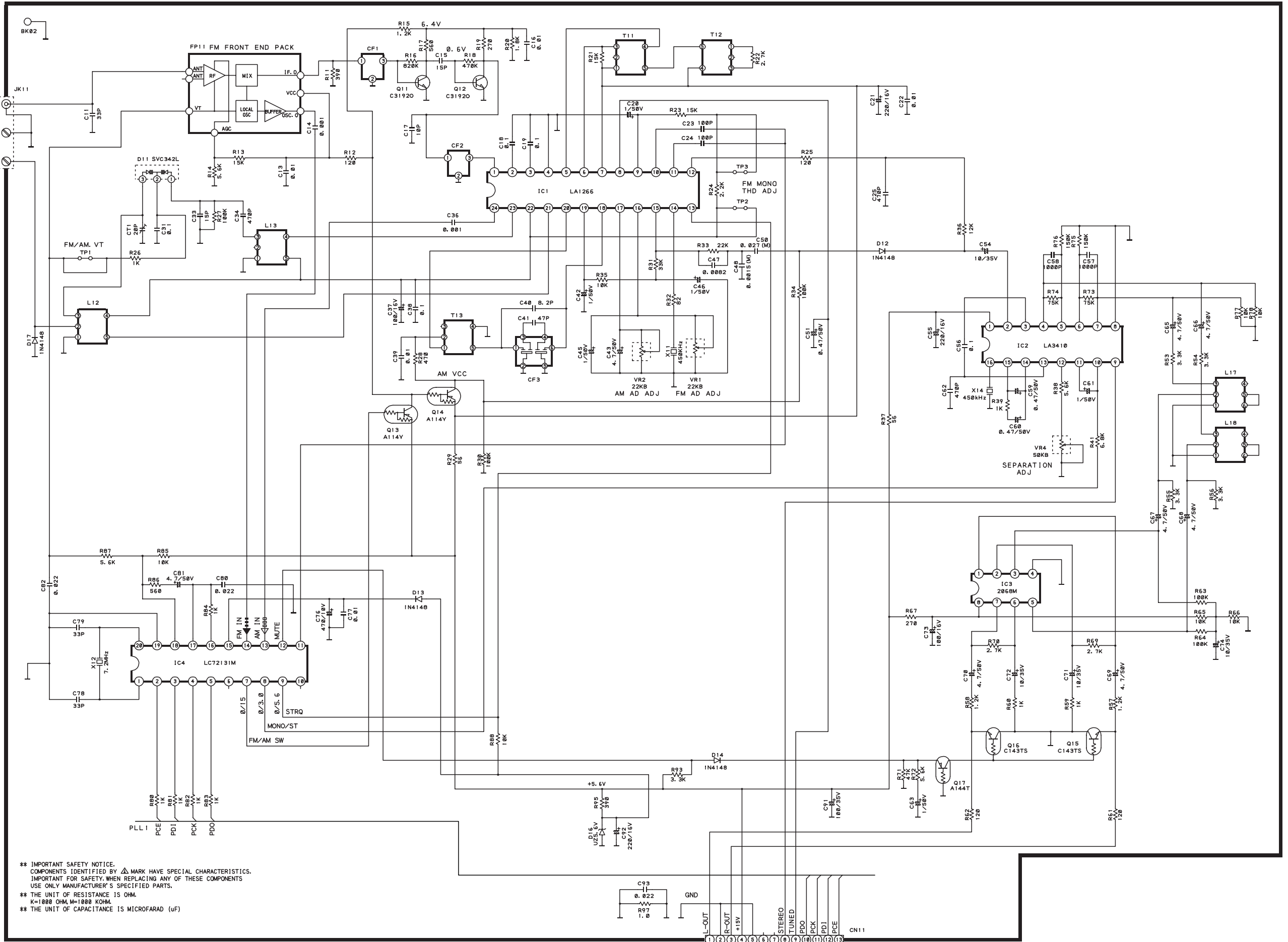
NO.	VOLT
1	14.0
2	7.0
3	7.0
4	7.0
5	GND
6	7.0
7	7.0
8	7.0
9	14.0

IC04: LC72131M (FM/AM)

NO.	VOLT	NO.	VOLT
1	7.2MHz	11	IF IN
2	CE	12	4.8
3	DATA I	13	AM OSC
4	CK	14	FM OSC
5	DATA O	15	4.8
6	NC	16	1.2
7	0/15	17	1.2
8	0/1.5	18	V.T
9	0/5.6	19	GND
10	NC	20	7.2MHz

IC05: BFU1923F (RDS)

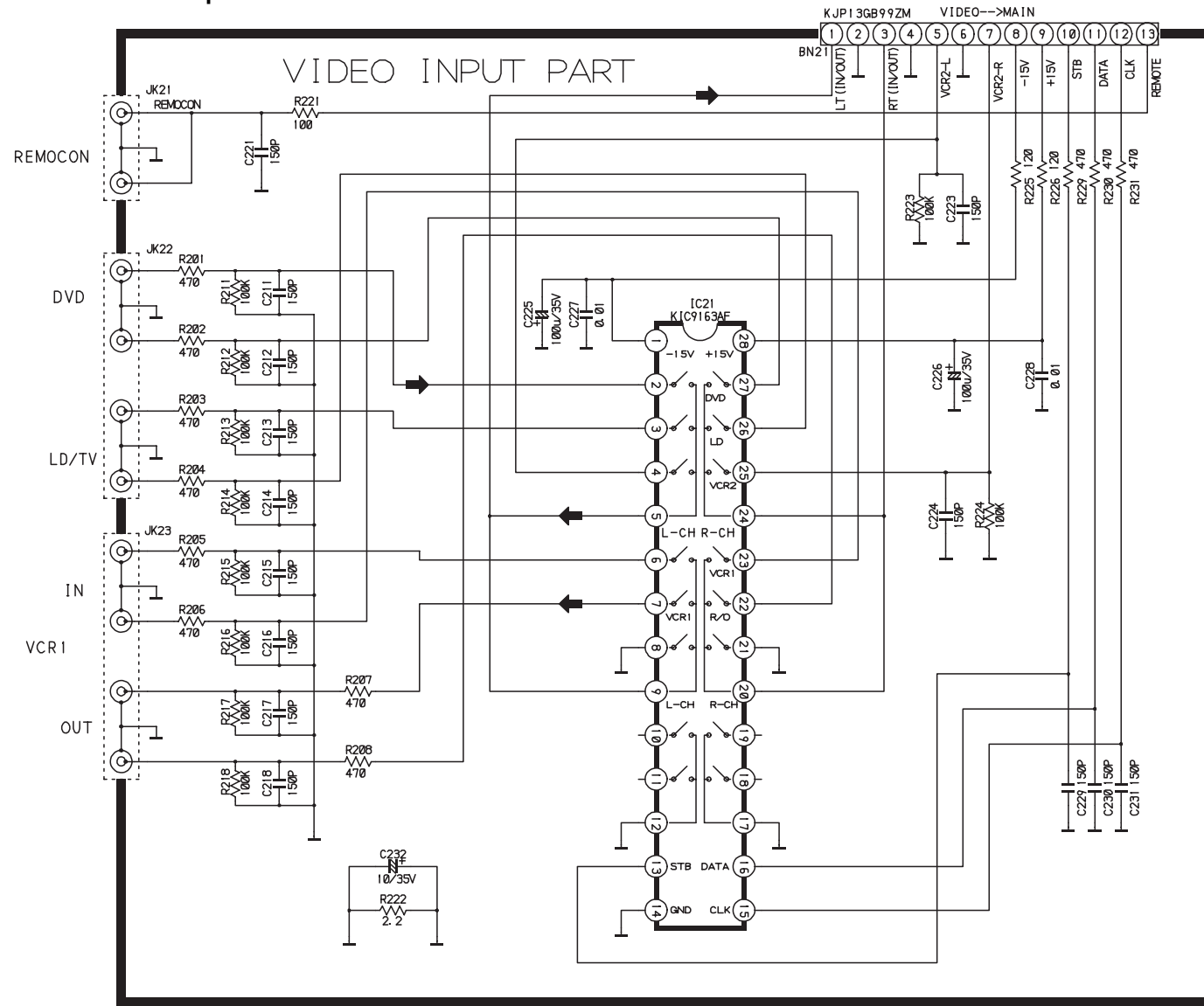
NO.	VOLT	NO.	VOLT
1	1.6	9	OPEN
2	1.5	10	OPEN
3	OPEN	11	OPEN
4	1.5	12	0
5	2.4	13	DATA
6	2.5	14	CLOCK
7	3.0	15	1.5
8	1.2	16	1.1



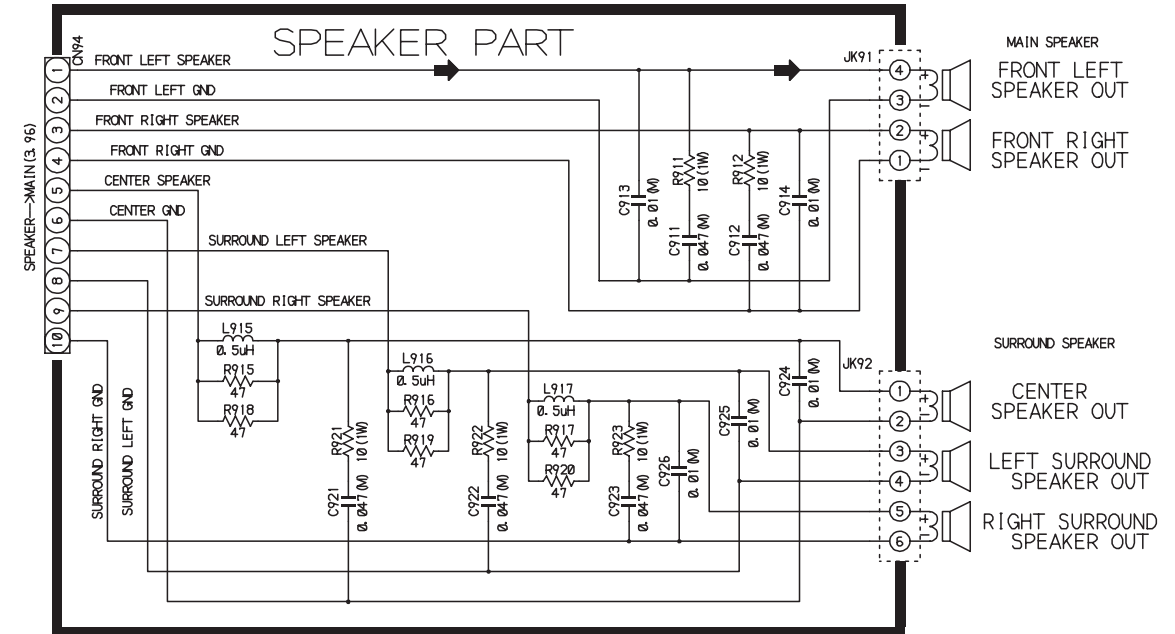
** IMPORTANT SAFETY NOTICE:
COMPONENTS IDENTIFIED BY Δ MARK HAVE SPECIAL CHARACTERISTICS.
IMPORTANT FOR SAFETY, WHEN REPLACING ANY OF THESE COMPONENTS
USE ONLY MANUFACTURER'S SPECIFIED PARTS.

** THE UNIT OF RESISTANCE IS OHM.
K=1000 OHM, M=1000 KOHM.
** THE UNIT OF CAPACITANCE IS MICROFARAD (μ F)

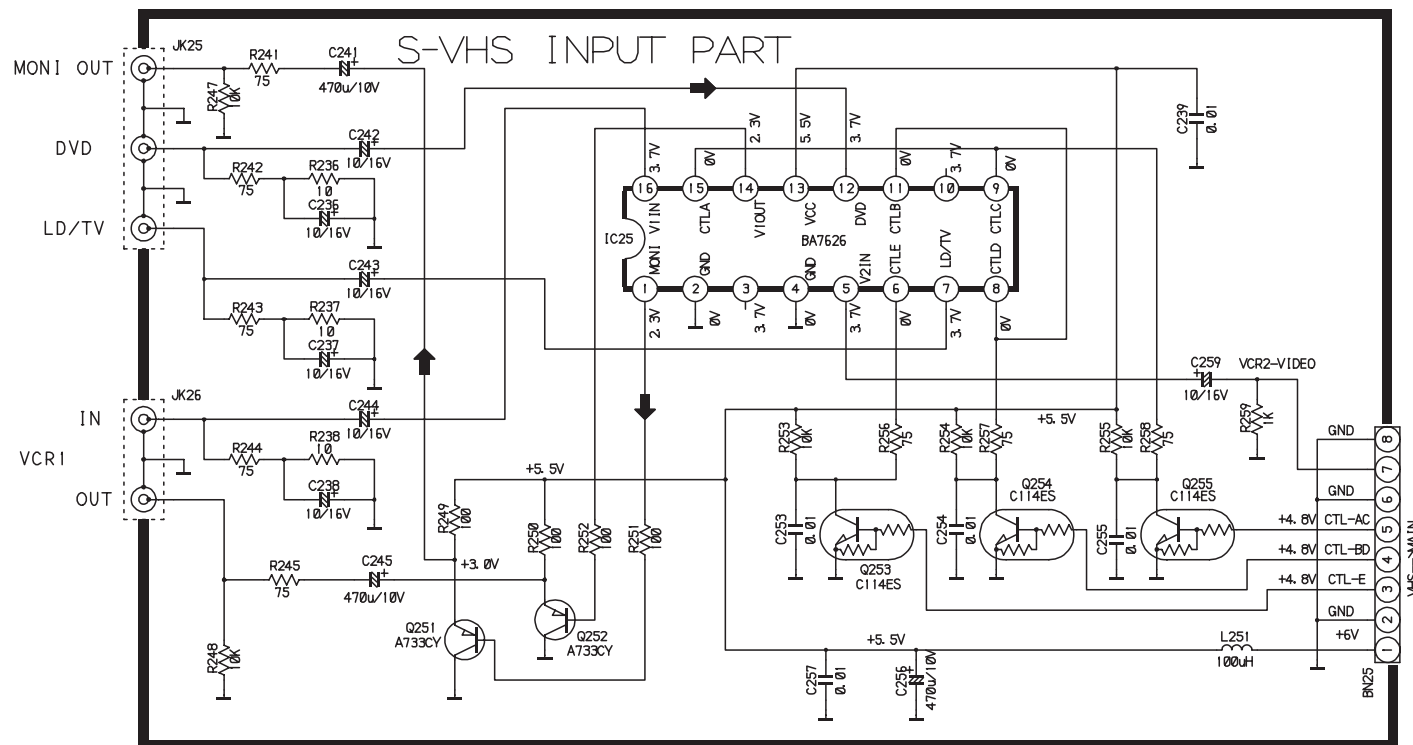
Video Input



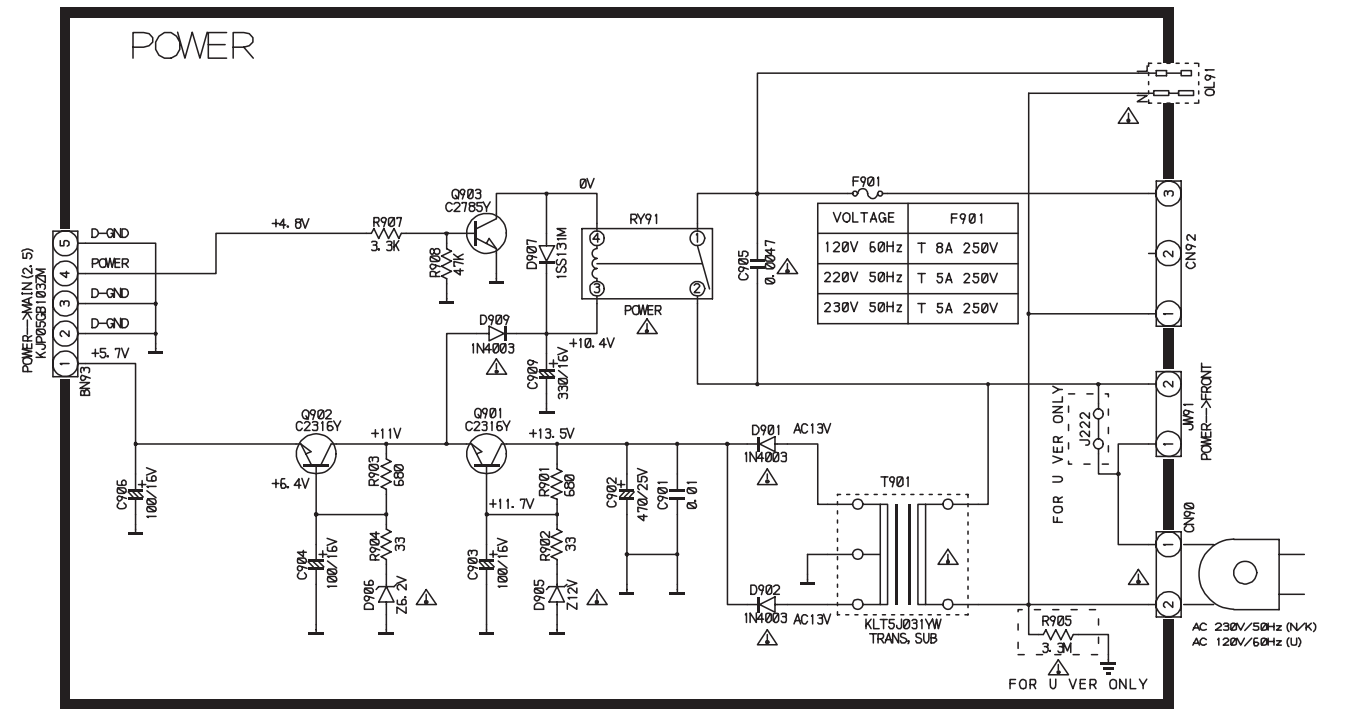
Speaker



S-VHS Input



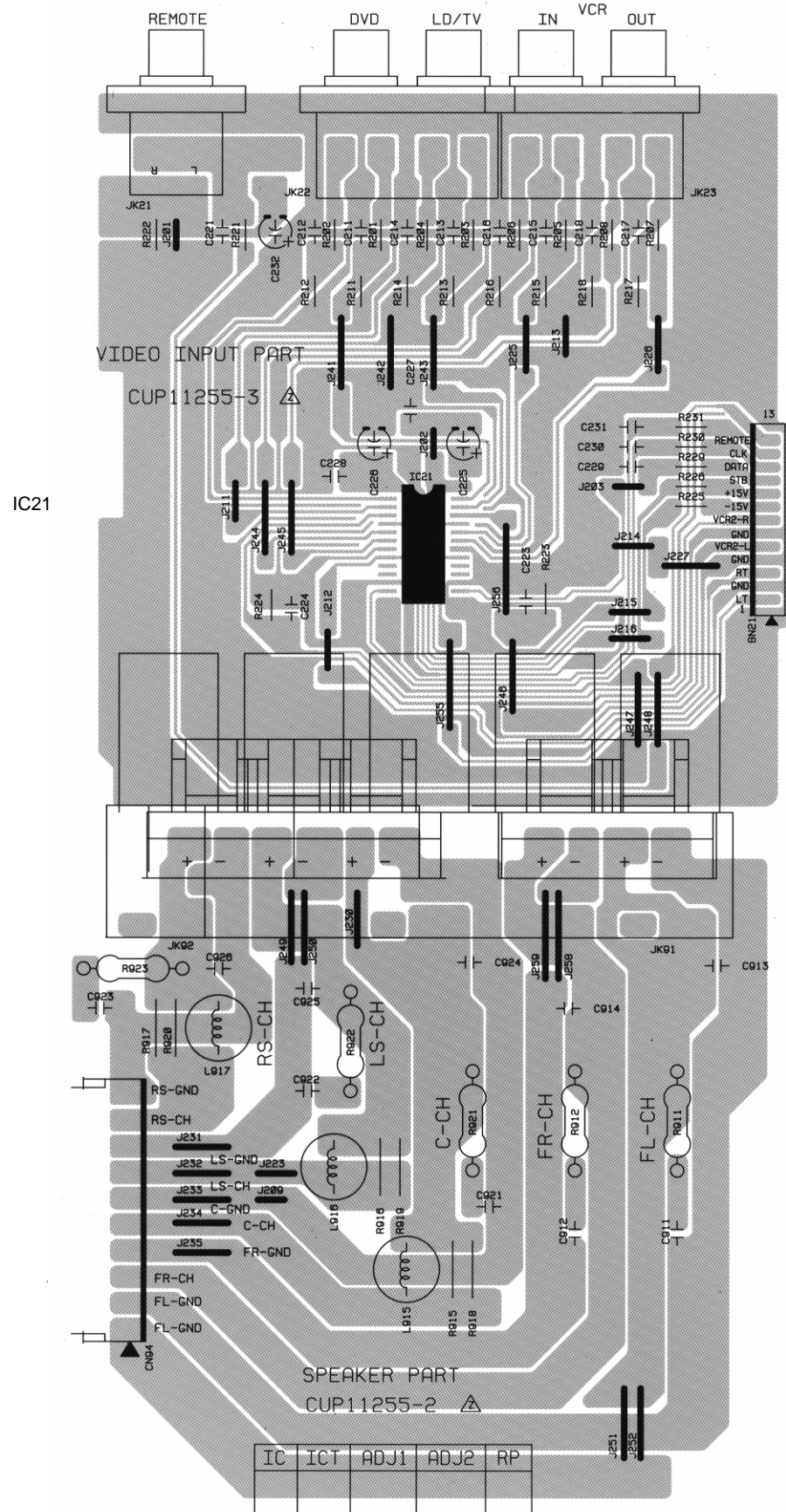
μ-Com Power Supply / Standby



** IMPORTANT SAFETY NOTICE.
COMPONENTS IDENTIFIED BY Δ MARK HAVE SPECIAL CHARACTERISTICS.
IMPORTANT FOR SAFETY, WHEN REPLACING ANY OF THESE COMPONENTS
USE ONLY MANUFACTURER'S SPECIFIED PARTS.

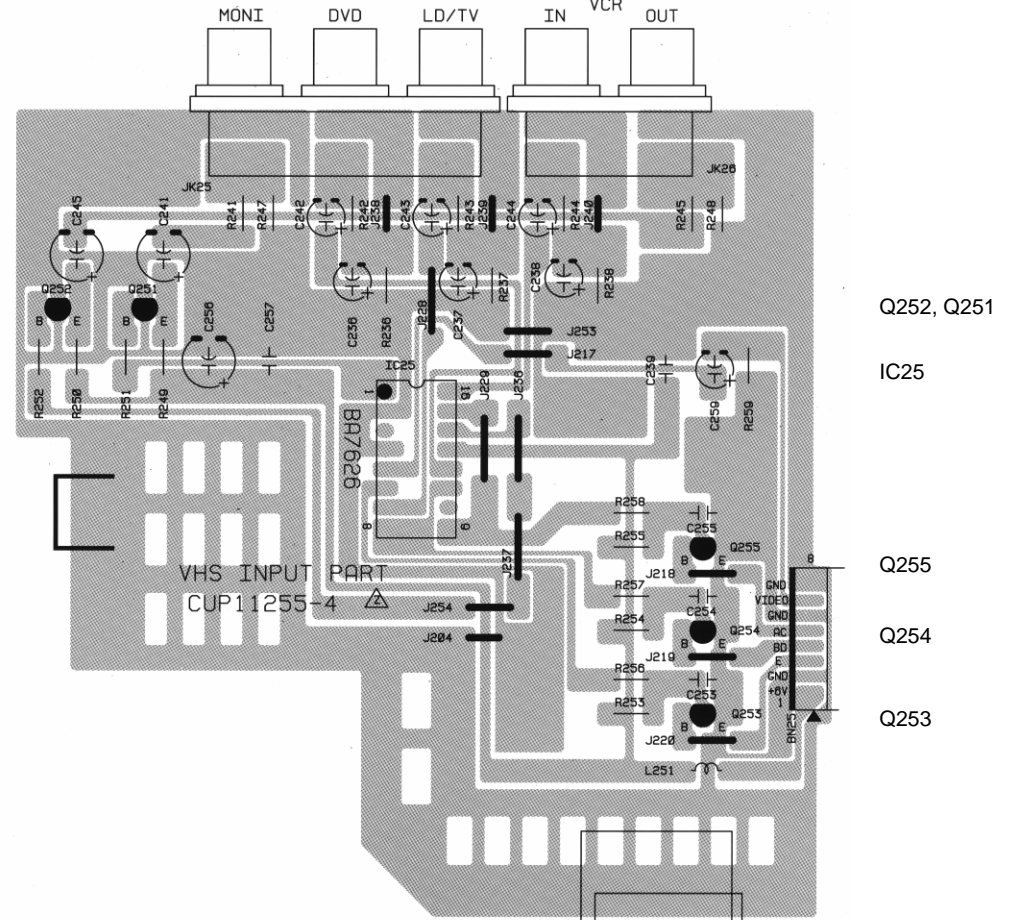
** THE UNIT OF RESISTANCE IS OHM.
K=1000 OHM, M=1000 KOHM.
** THE UNIT OF CAPACITANCE IS MICROFARAD (μF)

Video Input Board

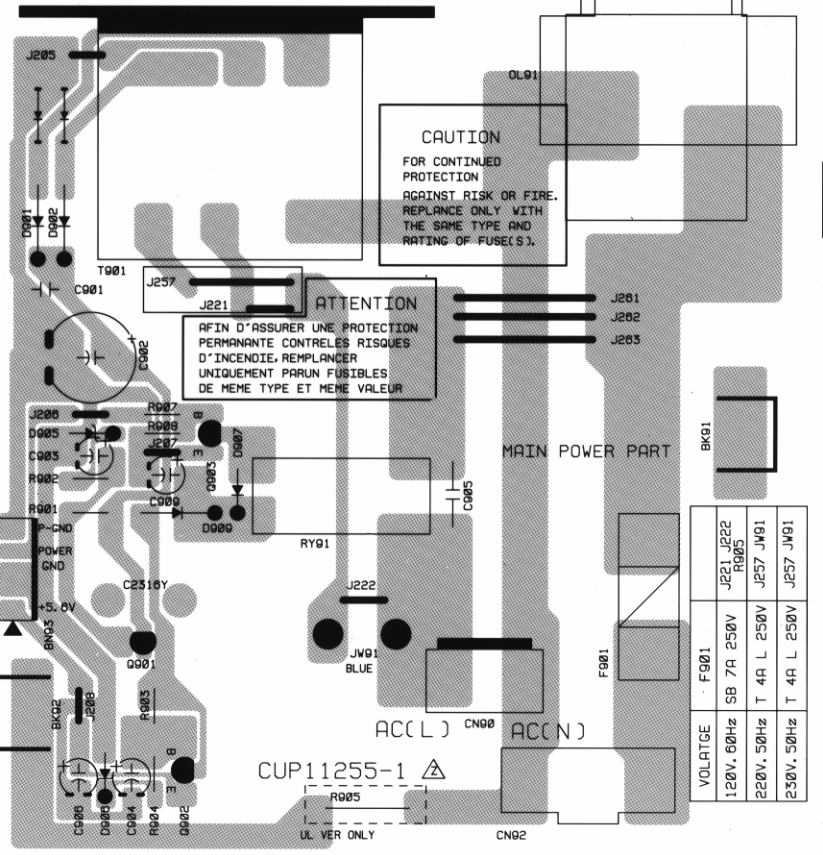


Speaker Board

S-VHS Input Board

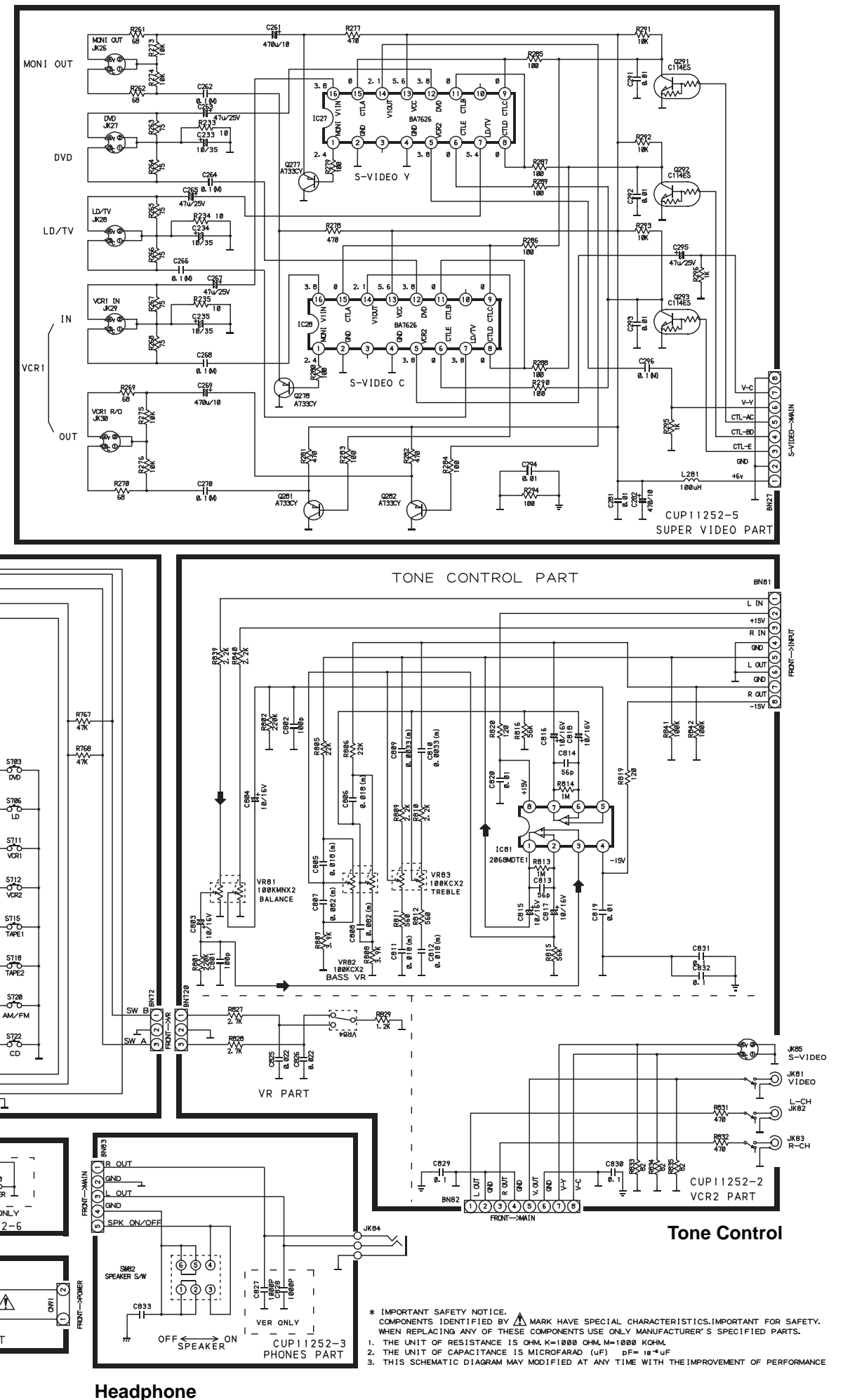
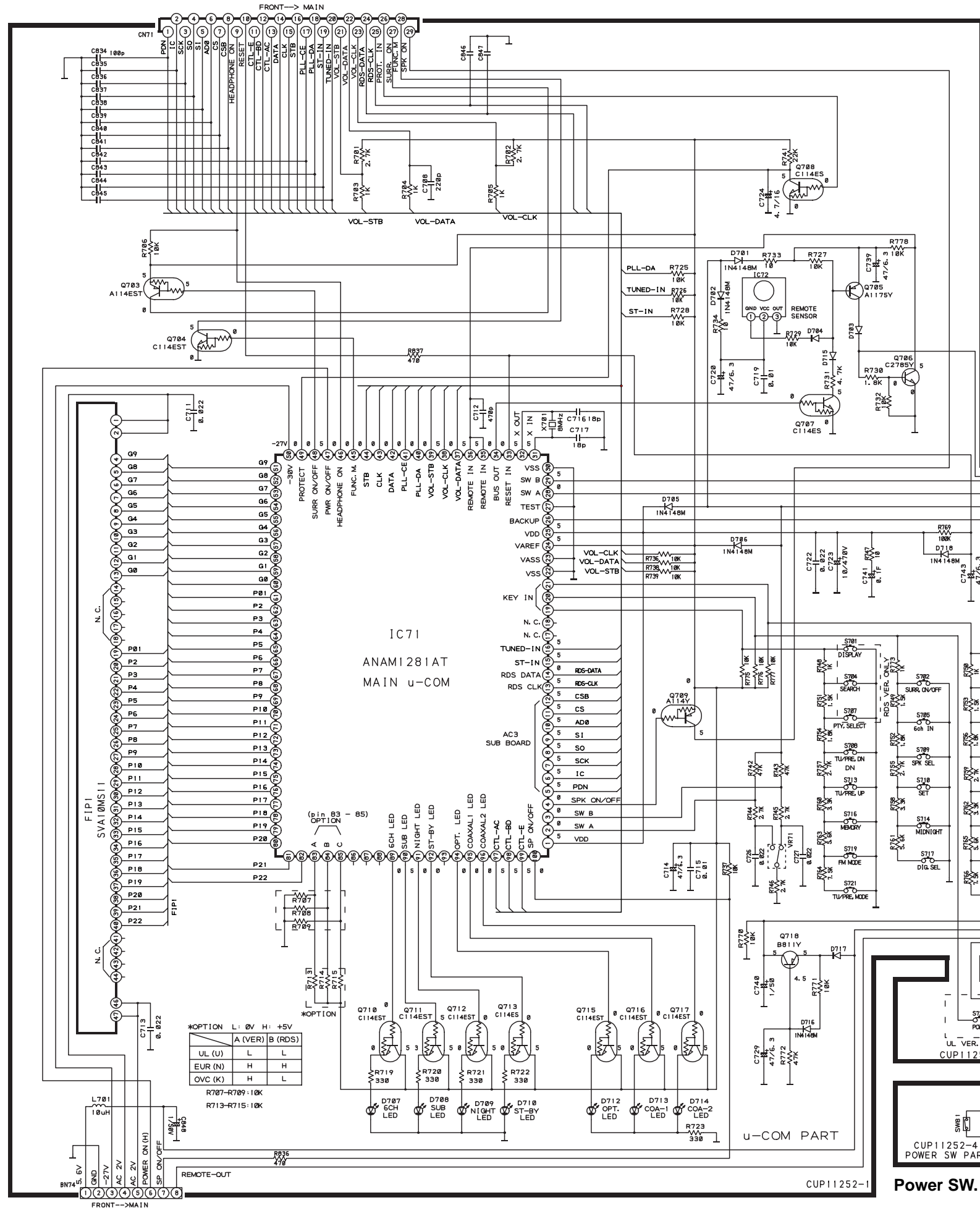


Q252, Q251
IC25
Q255
Q254
Q253



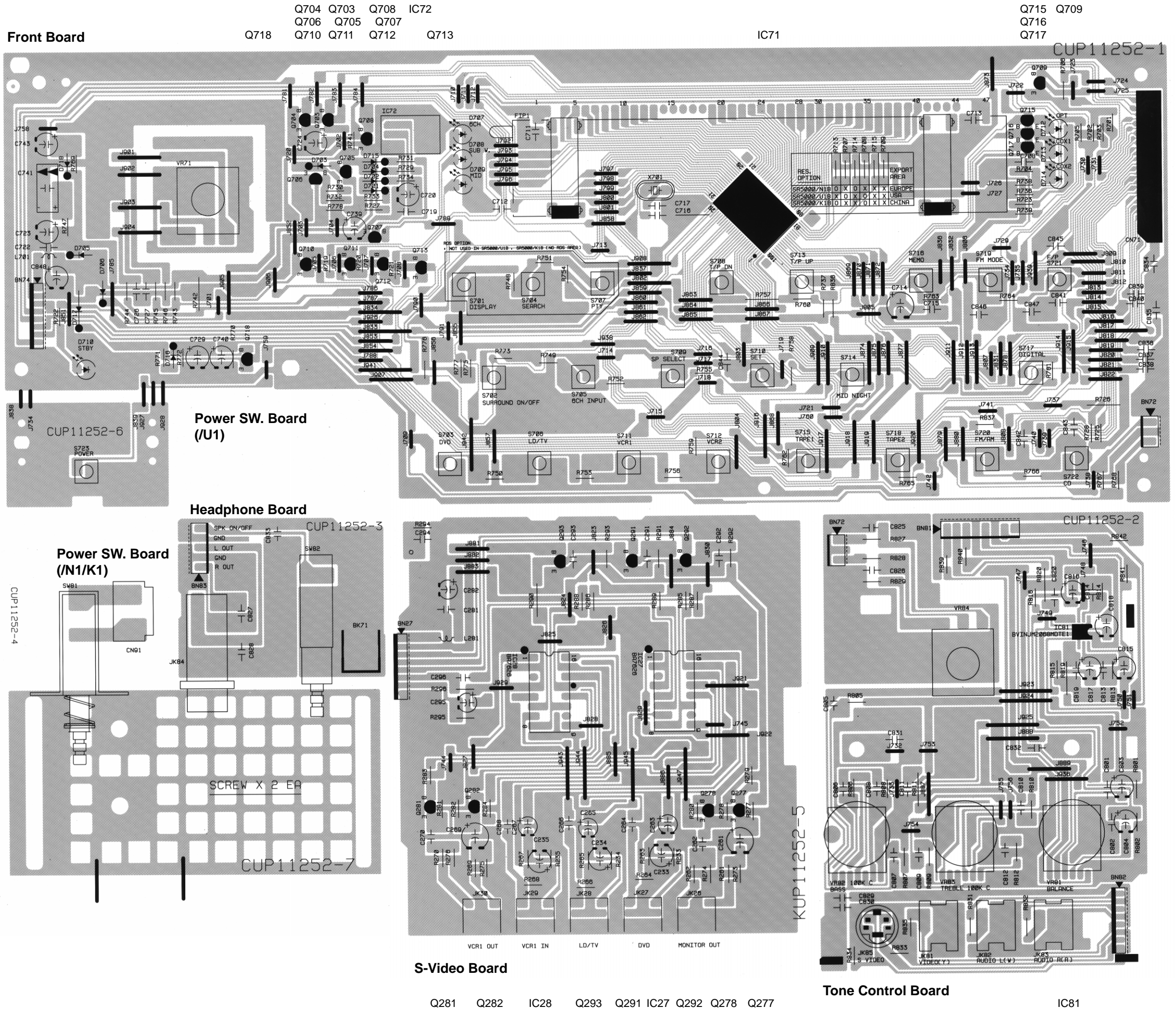
μ-Com Power Supply / Standby Board

Q903
Q901
Q902

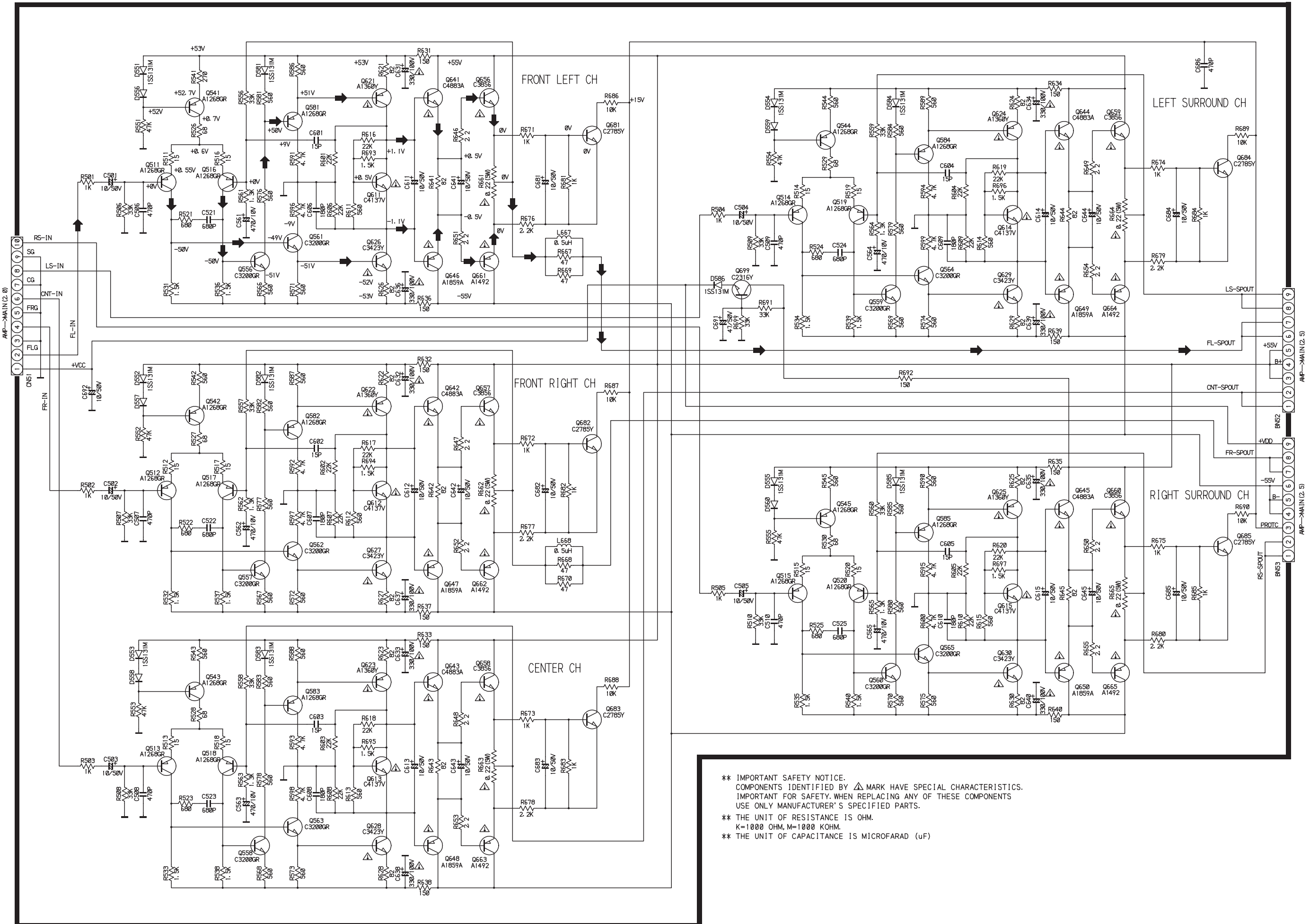


*** IMPORTANT SAFETY NOTICE.**
 COMPONENTS IDENTIFIED BY MARK HAVE SPECIAL CHARACTERISTICS. IMPORTANT FOR SAFETY.
 WHEN REPLACING ANY OF THESE COMPONENTS USE ONLY MANUFACTURER'S SPECIFIED PARTS.

1. THE UNIT OF RESISTANCE IS OHM, K=1000 OHM, M=1000 KOHM.
2. THE UNIT OF CAPACITANCE IS MICROFARAD (uF) pF= 10⁻⁶ uF
3. THIS SCHEMATIC DIAGRAM MAY MODIFIED AT ANY TIME WITH THE IMPROVEMENT OF PERFORMANCE

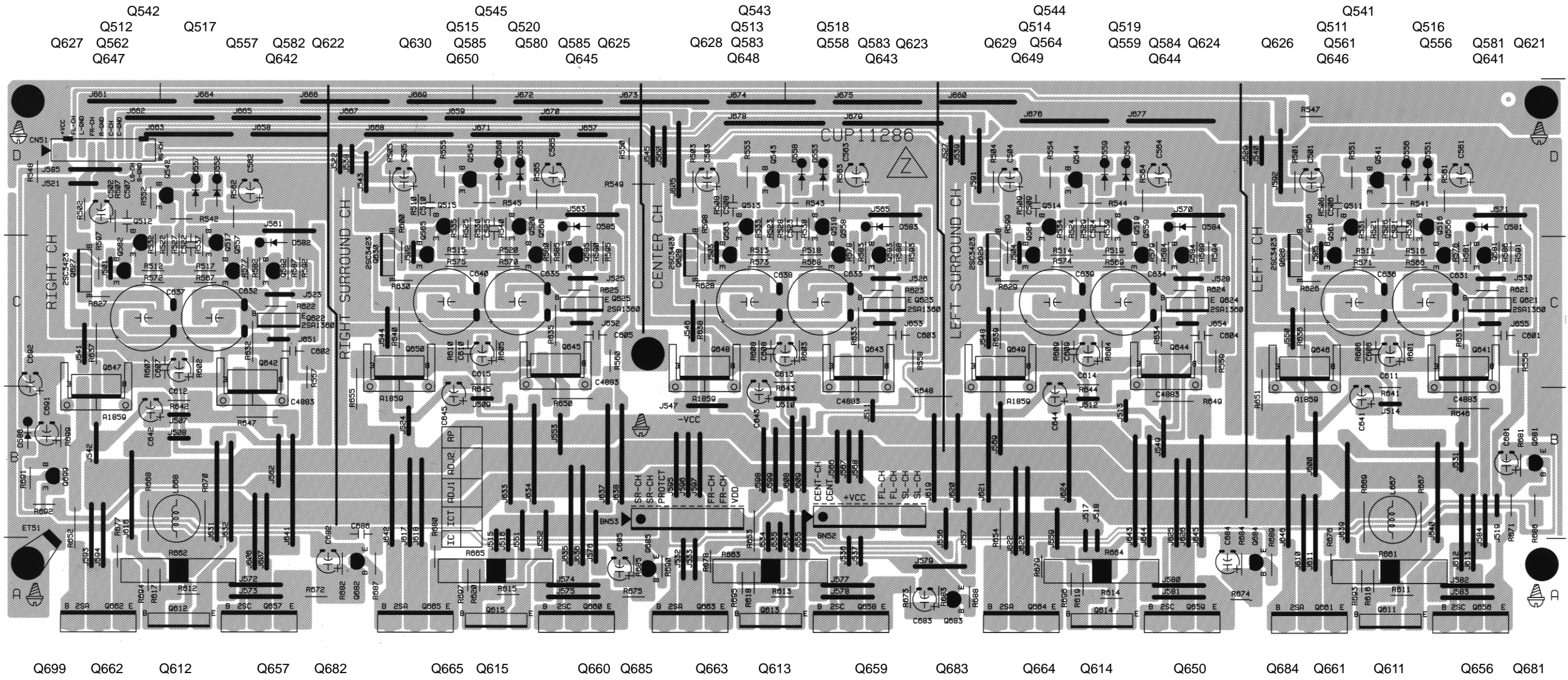


Power Amp



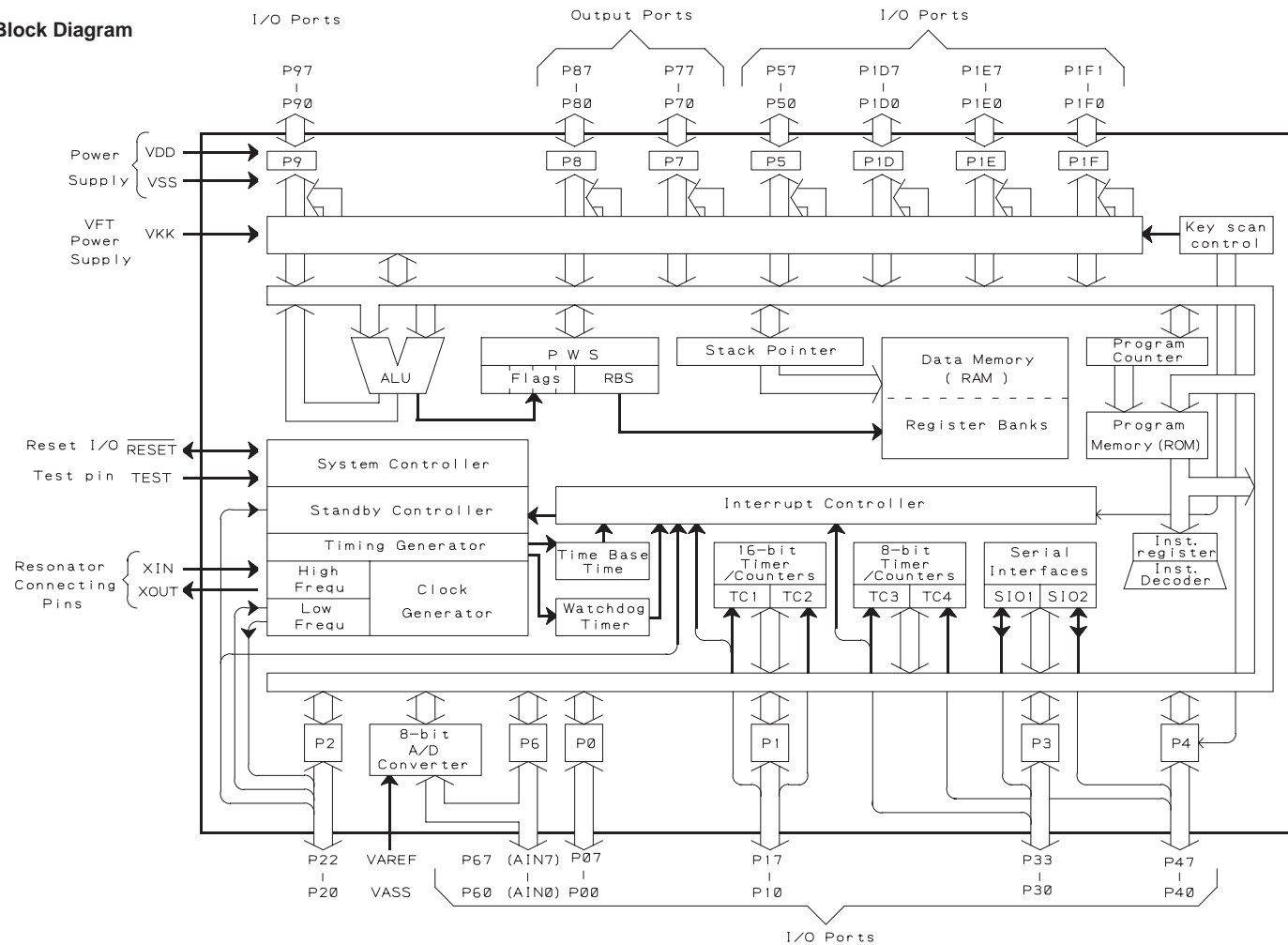
** IMPORTANT SAFETY NOTICE.
 COMPONENTS IDENTIFIED BY Δ MARK HAVE SPECIAL CHARACTERISTICS.
 IMPORTANT FOR SAFETY, WHEN REPLACING ANY OF THESE COMPONENTS
 USE ONLY MANUFACTURER'S SPECIFIED PARTS.
 ** THE UNIT OF RESISTANCE IS OHM.
 K=1000 OHM, M=1000 KOHM.
 ** THE UNIT OF CAPACITANCE IS MICROFARAD (μ F)

Power Amp Board

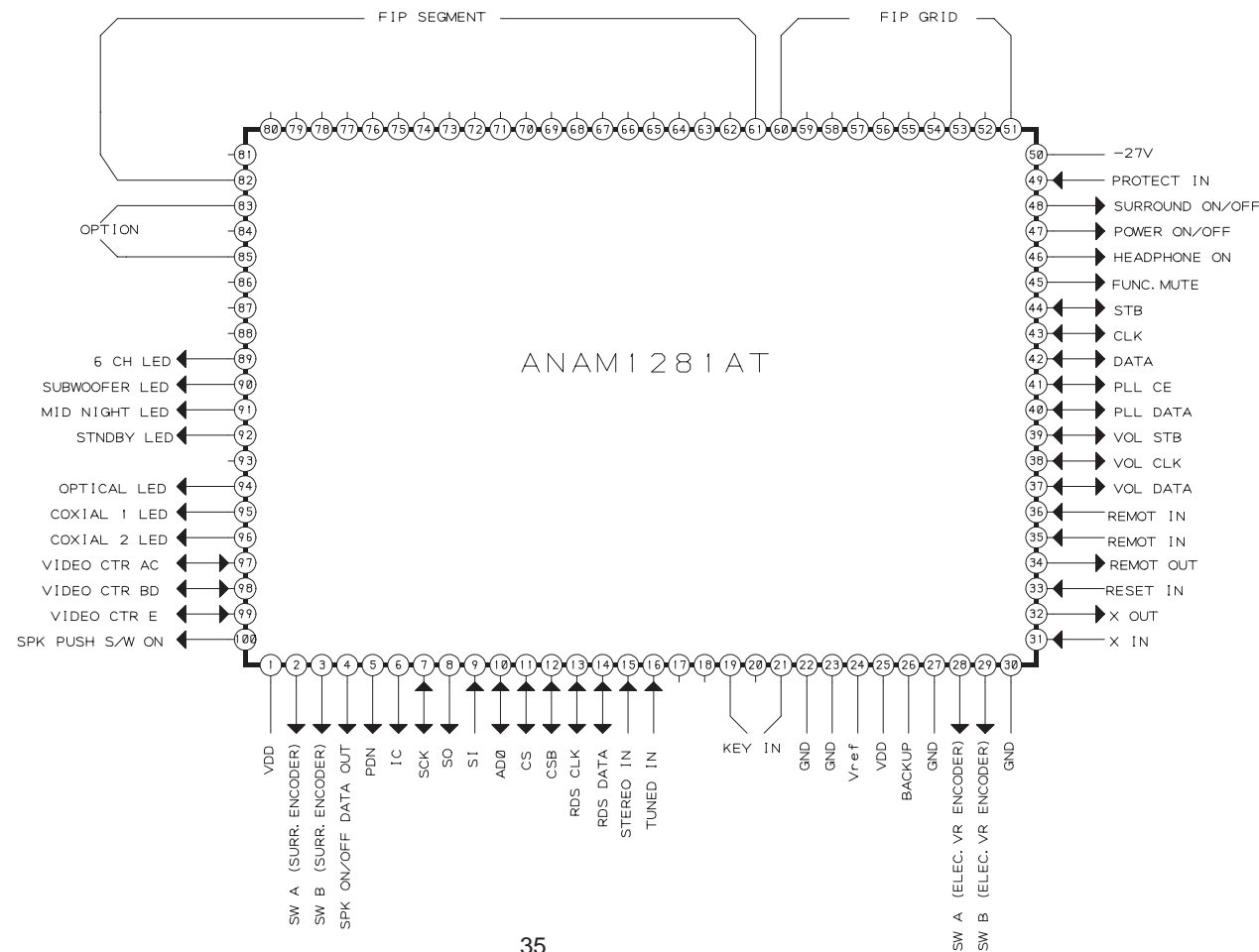


IC71 : ANAMI1281AT

1. Block Diagram



2. Pin Configuration



3. Pin Functions

PIN NO.	SYMBOL	DESCRIPTION
1	VDD	+5V POWER SUPPLY.
2-3	SW A,B	SURROUND ENCODER CONTROL BY THE UP/DOWN.
4	SPK ON/OFF	SWITCHING THE SPEAKER OUTPUT.
5	PDN	"L" ALL INTERNAL STATE ARE RESET INCLUDE THE CONTROL PORT.
6	IC	INITIAL CLEAR
7	SCK	MICOM INTERFACE/SUB DSP CLK INPUT
8	SO	MICOM INTERFACE/SERIAL DATA OUTPUT.
9	SI	MICOM INTERFACE/SUB DSP SERIAL DATA INPUT.
10	AD0	ADDRESS BIT "0".
11	CS	UCOM INTERFACE/CHIP SELECT INPUT.
12	CSB	SUB DSP CHIP SELECT.
13	RDS_CLK	TUNER RDS CLOCK OUT
14	RDS_DATA	TUNER RDS DATA OUT
15	STEREO_IN	INPUT FOR DETECTING FM STEREO.(AT"L",IT IS ACTIVE.)
16	TUNED_IN	INPUT FOR DETECTING THE STATION DURING TUNING. WHEN THE STATION IS DETECTED,"L" IS INPUTTED.
17-18	NC	NOT USED!
19-21	KEY IN	DATA INPUT FOR KEY SCAN.
22-23	GND	GROUND.
24	Vref	VOLTAGE FOR REFERENCE.
25	VDD	+5V POWER SUPPLY.
26	BACKUP	IF PORT IS "L", POWER IS OFFED AND LAST MEMORY IS ACTIVATED
27	GND	GROUND.
28-29	SW A,B	ELECTRIC VOLUME ENCODER CONTROL BY THE UP/DOWN.
30	GND	GROUND.
31	X_IN	INPUT FOR CRYSTAL OSCILATOR.
32	X_OUT	OUTPUT FOR CRYSTAL OSCILATOR.
33	RESET	INPUT FOR RESETTING CPU.(AT "L", IT IS ACTIVE(RESET).)
34	REMOTE OUT	OUTPUT FOR REMOTE CONTROL DATA.
35-36	REMOTE_IN	INPUT FOR REMOTE CONTROL DATA.
37	VOL_DATA	VOL DATA OUTPUT
38	VOL_CLK	VOL CLOCK OUT
39	VOL_STB	VOL STROBE
40	PLL_DATA	TUNER PLL DATA IN/OUT
41	PLL_CE	TUNER PLL CHIP ENABLE PORT
42	DATA	FUNCTION DATA OUTPUT
43	CLK	FUNCTIONCLOCK OUT
44	STB	FUNCTION STROBE
45	MUTE	MUTING WHEN CHANGE THE FUNCTION BUTTON.
46	HEADPHONE ON	INPUT FOR HEADPHONE.(AT "H",IT IS ACTIVE)
47	POWER ON	WHEN THE POWER IS "H",IT IS ACTIVE.
48	SURR. ON/OFF	SWITCHING THE SURROUND ON/OFF.
49	PROTECT_IN	SIGNAL INPUT FOR PROTECTION.(AT "H",IT IS ACTIVE)
50	-27V	-27V POWER SUPPLY FOR FIP.
51-60	FIP GRID	PORTS FOR FIP GRID.
61-82	FIP SEGMENT	PORTS FOR FIP SEGMENT.
83	OPTION	AREA OPTION ("H" IS EUR AREA, "L" IS USA AREA.)
84	OPTION	RDS OPTION ("H" IS RDS ON , "L" IS RDS OFF.)
85-86	OPTION	NOT USED!
86-88	NC	NOT USED!
89	6-CH_LED	INDICATING DURING THE 6 CH INPUT.(AT "H",IT IS ACTIVE)
90	SUBWOOFER_LED	INDICATING DURING THE SUBWOOFER ON.(AT "H",IT IS ACTIVE)
91	MIDNIGHT_LED	INDICATING DURING THE MID NIGHT MODE.(AT "H",IT IS ACTIVE)
92	STBY_LED	INDICATING DURING THE STANDBY MODE.(AT "H",IT IS ACTIVE)
93	NC	NOT USED!
94	OPT_LED	INDICATING DURING THE OPTICAL INPUT.(AT "H",IT IS ACTIVE)
95	COAX1_LED	INDICATING DURING THE COAXIAL1 INPUT.(AT "H",IT IS ACTIVE)
96	COAX2_LED	INDICATING DURING THE COAXIAL2 INPUT.(AT "H",IT IS ACTIVE)
97	CTL-AC	VIDEO FUNCTION IC CONTROL PORT "A","C".
98	CTL-BD	VIDEO FUNCTION IC CONTROL PORT "B","D".
99	CTL-E	VIDEO FUNCTION IC CONTROL PORT "E".
100	SPK S/W_IN	SPEAKER PUSH S/W ON DATA IN PORT.

6. ADJUSTMENT PROCEDURE

ALIGNMENT INSTRUCTIONS

(1) EQUIPMENT NEEDED

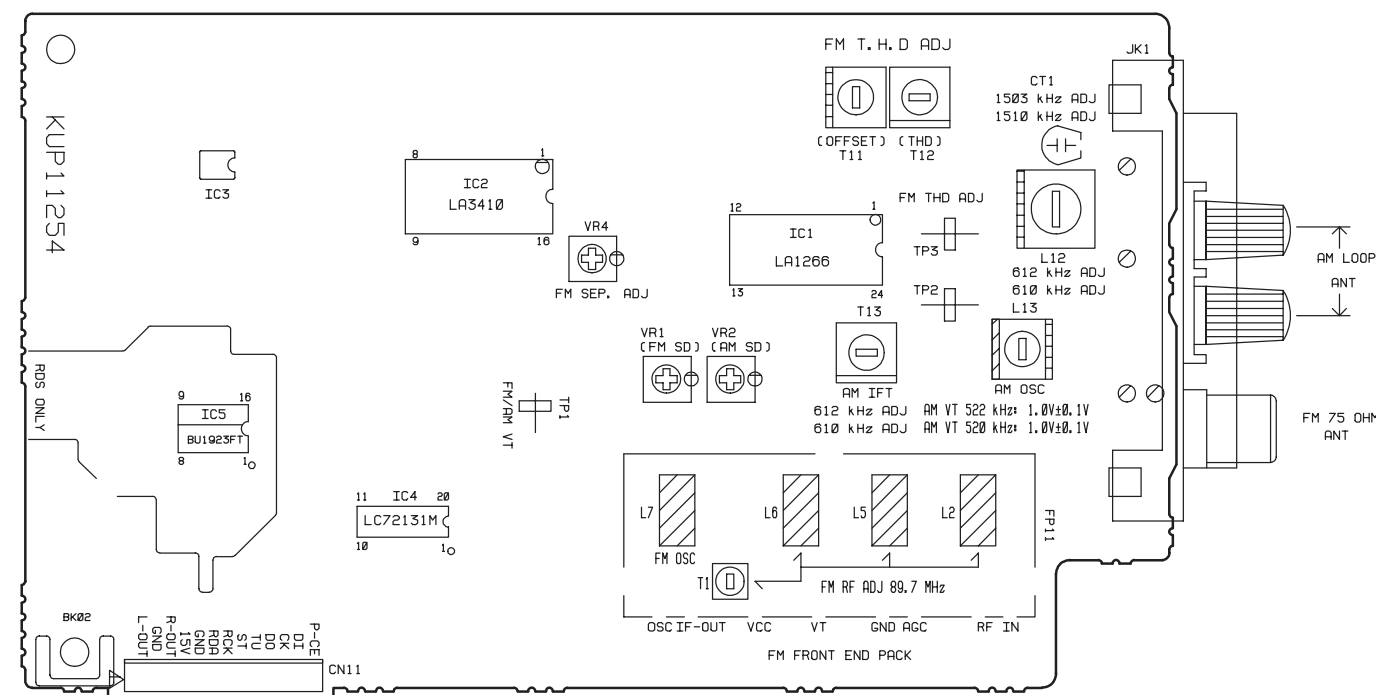
AM Standard Signal Generator
 FM Standard Signal Generator
 Oscilloscope
 VTVM (AC,DC)
 AM Test Loop Antenna (AM Adjustment)
 FM Dummy Antenna (FM Adjustment)
 Stereo Signal Generator (RDS IN : EUROPE ONLY)
 Frequency Counter
 Distortion Analyser

IMPORTANT

1. Check power-source voltage.
2. Set the function switch to band aligned.
3. Keep the signal input as low as possible to adjust accurately.
4. Modulation and modulation frequency.

Band	Item	Modulation	Modulation freq.
AM		30 %	400 Hz
FM (EUR, OVC)	SR5000/N1B	MONO : 40 kHz DEV. STEREO : L=R (40 kHz), PILOT (7.5 kHz) 47.5 kHz DEV.	1 kHz
	SR5000/K1B	RDS : STEREO + RDS (1.2 kHz) 48.7 kHz DEV.	
FM (USA)	SR5000/U1B	MONO : 75 kHz DEV. (100 %) DTEREO : L=R (67.5 kHz), PILOT (7.5 kHz)	1 kHz

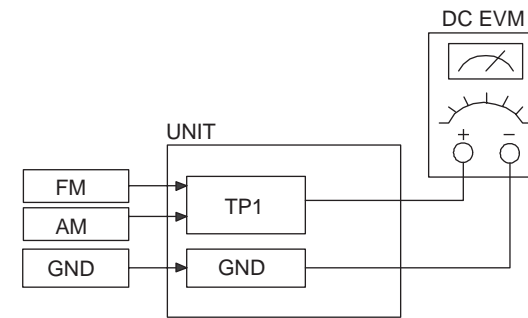
TUNER ADJUSTMENT POINT



(2) FM, AM TRACKING VOLTAGE ADJUSTMENTS

AM, FM DC Voltmeter : Connect to test point TP1 and GND

NO	Band	Frequency	Adjust for	Adjustment
1	FM	87.50 MHz	1.6V	L7
2	AM	522 kHz	1.0V	L13
	AM	520 kHz	1.0V	L13



(3) AM RF ADJUSTMENTS

Signal generator : Connect to the AM Ant.

Coil through the loop antenna.

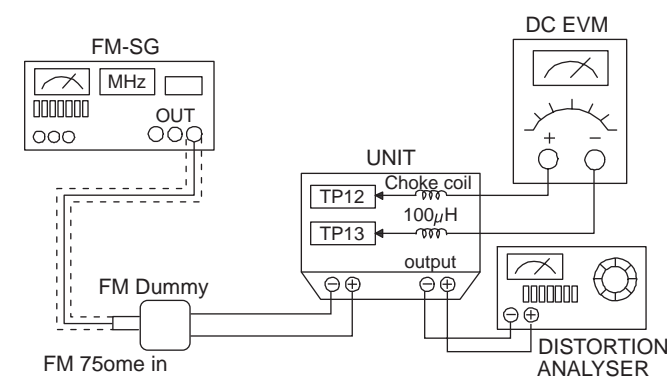
Adjust for the indication of VTVM of the wave form of scope to be maximum.

/N1B, /K1B

Band	NO	Frequency	Adjust for	Adjustment
AM	1	612 kHz	Max sensitivity	L12, T13
	2	1503 kHz	Max sensitivity	CT1
	3	Repeat steps 1 and 2 several times.		

/U1B

Band	NO	Frequency	Adjust for	Adjustment
AM	1	610kHz	Max sensitivity	L12, T13
	2	1510 kHz	Max sensitivity	CT1
	3	Repeat steps 1 and 2 several times.		

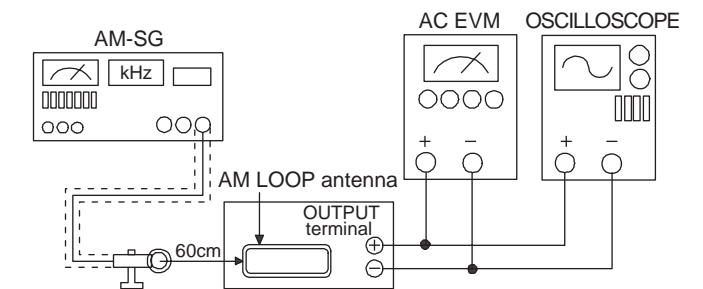


(4) FM RF ADJUSTMENTS

Signal generator : Connect to FM Ant. (FM 75 ohm) through the dummy.

Adjust for indication of VTVM of the wave form of scope to be maximum.

Band	NO	Frequency	Adjust for	Adjustment
FM	1	100.10 MHz	Max sensitivity	L2, L5, L6, T1
	3	Repeat steps 1 several times.		



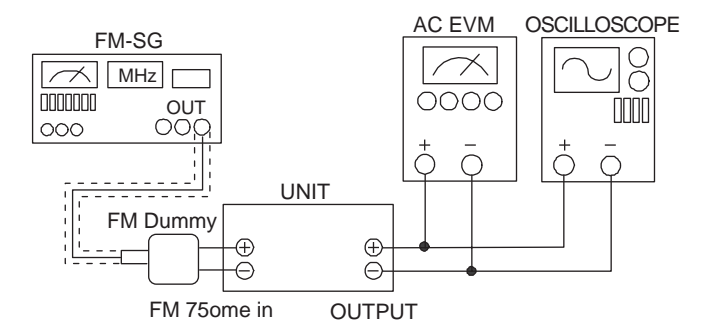
(5) FM MONO DISTORTION ADJUSTMENTS

Signal Generator : Connect to FM Ant. (FM 75 ohm) through the dummy.

DC Voltmeter : Connect to TP2(+), TP3(-) through the choke coil (100uH).

Distortion Meter : Connect to output L or R.

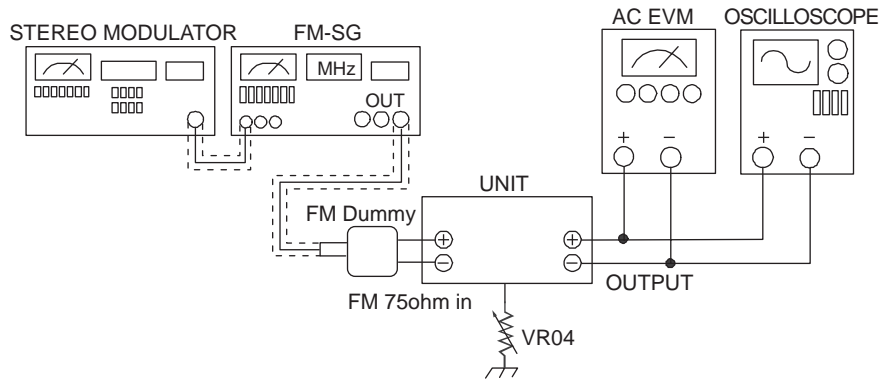
Band	NO	Frequency	Adjust for	Adjustment
FM	1	100.10 MHz	DC Voltmeter 0V	T11
	2	100.10 MHz	Minimum T.H.D	T12
	3	Repeat steps 1 and 2 several times.		



(6) FM STEREO SEPARATION ADJUSTMENT

Signal Generator : Connect to FM Ant. (FM 75 ohm) through the dummy.

Band	Frequency	SSG Condition	Adjust for	Adjustment
FM	100.10 MHz	Moudulation : L or R only	Different of R or L must be maximum	VR4
		Modulation Frequency : 1 kHz		
		Output Level : 66 dB		



(7) AM, FM AUTO LEVEL ADJUSTMENT

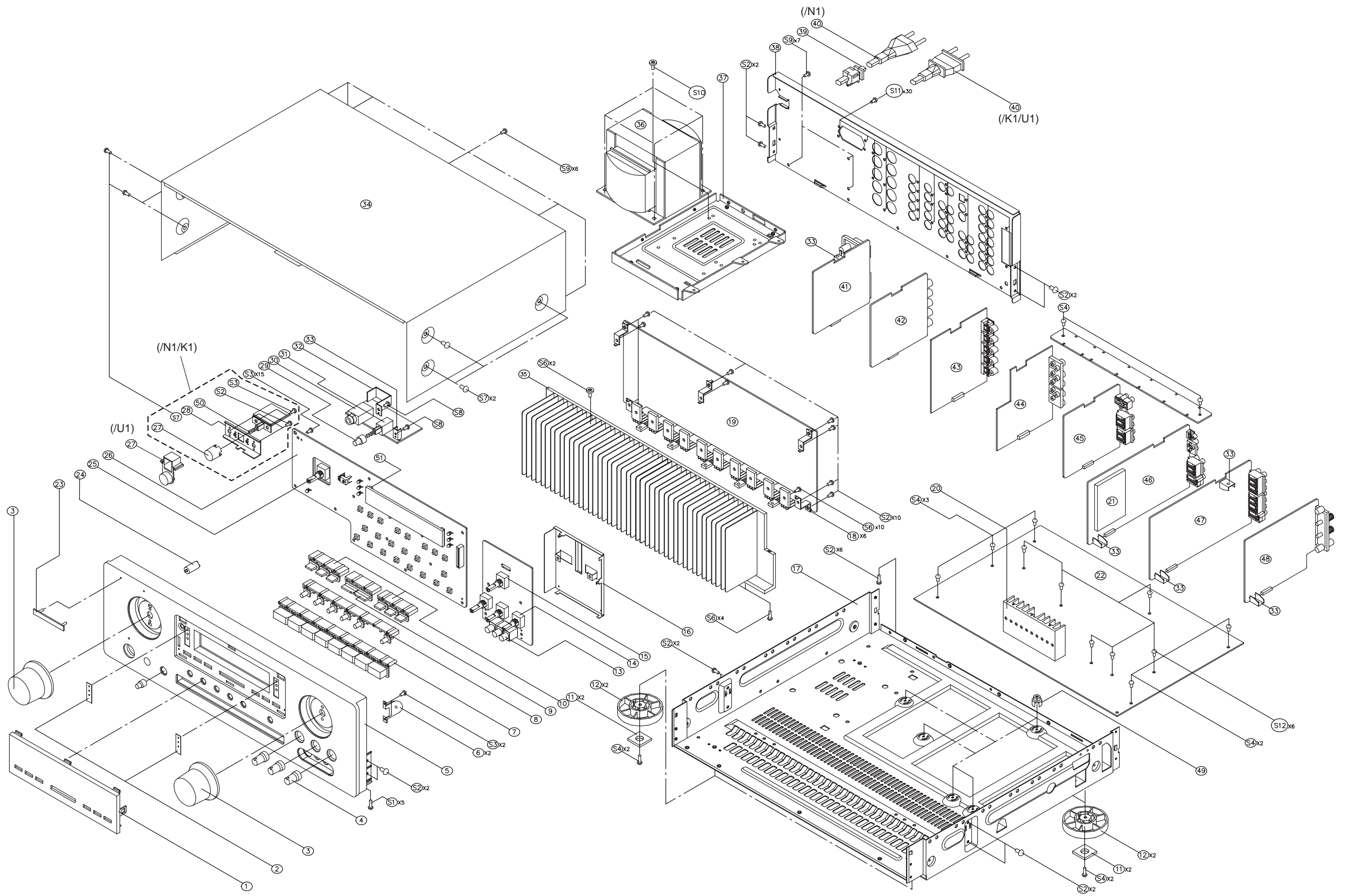
Signal Generator : Connect to FM Ant. (FM 75 ohm) through the dummy.

Connect to the AM Ant. Coil through the Loop antenna.

Band	Step	Signal Generator	Adjust for	Adjustment
FM	1	100.10 MHz 30dB	TUNED Display off	VR1
	2	100.10 MHz 30dB	TUNED Display on	VR1
AM	1	990 kHz 76dB	TUNED Display off	VR2
	2	990 kHz 76dB	TUNED Display on	VR2

7. EXPLODED VIEW AND PARTS LIST

POS. NO	VERS. COLOR	PART NO. (PCS)	DESCRIPTION	PART NO. (MJ)
1	/K1/U1		WINDOW FIP	285W158020
1	/N1		WINDOW FIP	285W158010
2		nsp	SHEET ORNAMENT	nsp
3	BLK	9965 000 01988	KNOB VOLUME	285W154010
3	GLD		KNOB VOLUME	285W154110
4	BLK	9965 000 02004	KNOB BALANCE	285W154020
4	GLD		KNOB BALANCE	285W154120
5	BLK	9965 000 02005	PANEL FRONT	285W248010
5	GLD		PANEL FRONT	285W248110
6		nsp	BRACKET TOP	nsp
7	BLK	9965 000 02006	KNOB FUNCTION	285W270020
7	GLD		KNOB FUNCTION	285W270120
8	BLK		KNOB SURROUND	285W270050
8	GLD		KNOB SURROUND	285W270150
9		9965 000 02008	KNOB TUNING	285W270040
10		9965 000 02009	KNOB DISPLAY	285W270030
11		nsp	RUBBER CUSHION	nsp
12		4822 462 11013	FOOT	243W057010
16		nsp	COVER SHIELD	nsp
17		nsp	CHASSIS BOTTOM	nsp
23		4822 454 11825	BADGE MARANTZ	185J251012
24		9965 000 01244	INDICATOR	285W355010
27	/K1B/N1B	9965 000 01291	KNOB POWER	285W270010
27	/K1G		KNOB POWER	285W270110
27	/U1B		KNOB POWER	281W270010
27	/U1G		KNOB POWER	281W270110
28	/N1/K1	nsp	BRACKET POWER	nsp
29	BLK	9965 000 01289	KNOB SPEAKER	285W270060
29	GLD		KNOB SPEAKER	285W270160
32		nsp	BRACKET PCB	nsp
34		nsp	CABINET TOP	nsp
▲ 36	/N1/K1	9965 000 02010	TRANS MAINS 230V	*TS001130R
▲ 36	/U1		TRANS MAINS 120V	*TS001140R
37		nsp	BRACKET TRANS	nsp
38	/K1	nsp	PANEL REAR	nsp
38	/N1	nsp	PANEL REAR	nsp
38	/U1	nsp	PANEL REAR	nsp
39		nsp	BUSHING MAINS CORD	nsp
▲ 40	/U1		CORD MAINS UL/CSA 10A 250V	*YC000380R
▲ 40	/K1		CORD MAINS CHINA/CCEE 10A 250V	*YC000400R
▲ 40	/N1	9965 000 02011	CORD MAINS EUR 10A 250V	*YC000390R
49		nsp	HOLDER PCB	nsp
S1		nsp	SCREW	nsp
S4		nsp	SCREW	nsp
S10		nsp	SCREW	nsp
S11		nsp	SCREW	nsp
S12		nsp	SCREW	nsp
			PACKING	
001T	/N1/K1	9965 000 02012	MANUAL INSTRUCTION	285W851310
001T	/U1		MANUAL INSTRUCTION	285W851250
001Z		9965 000 02013	REMOTE CONTROL UNIT (RC5000SR)	ZK285W0010
			NOT STANDARD SPEAR PARTS	
		nsp	BOX OUT CARTON	285W801010
		nsp	PAD SNOW	285W809010
	/U1	nsp	ADAPTOR 300 OHM	nsp
		nsp	AM LOOP ANT ASS'Y	nsp
	/U1	nsp	ANT FM T	nsp
	/N1/K1	nsp	ANT FM WIRE	nsp



8. ELECTRICAL PARTS LIST

ASSIGNMENT OF COMMON PARTS CODES.

RESISTORS

R*** : 1) GD05 x x x 140, Carbon film fixed resistor, ±5% 1/4W
 R*** : 2) GD05 x x x 160, Carbon film fixed resistor, ±5% 1/6W
 ① Resistance value

Examples

① Resistance value
 0.1Ω 001 10Ω 100 1kΩ 102 100kΩ 104
 0.5Ω 005 18Ω 180 2.7kΩ 272 680kΩ 684
 1Ω 010 100Ω 101 10kΩ 103 1MΩ 105
 6.8Ω 068 390Ω 391 22kΩ 223 4.7MΩ 475

Note : Please distinguish 1/4W from 1/6W by the shape of parts used actually.

CAPACITORS

C*** : CERAMIC CAP.
 3) DD1 x x x x 370, Ceramic capacitor
 Disc type
 Temp.coef. P350-N1000, 50V
 ③ Capacity value
 ② Tolerance

Examples

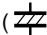
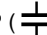
② Tolerance (Capacity deviation)
 ±0.25 pF 0
 ±0.5 pF 1
 ±5 % 5
 Tolerance of COMMON PARTS handled here are as follows :
 0.5 pF - 5 pF ± 0.25 pF
 6 pF - 10 pF ± 0.5 pF
 12 pF - 560 pF ± 5 %

③ Capacity value
 0.5 pF 005 3 pF 030 100 pF 101
 1 pF 010 10 pF 100 220 pF 221
 1.5 pF 015 47 pF 470 560 pF 561

C*** : CERAMIC CAP.
 4) DK16 x x x 300, High dielectric constant ceramic capacitor
 Disc type
 Temp.chara. 2B4, 50V
 ④ Capacity value

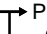
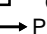

Examples

④ Capacity value
 100 pF 101 1000 pF 102 10000 pF 103
 470 pF 471 2200 pF 222

C*** : 5) ELECTROLY CAP. (), 6) FILM CAP ()
 5) EA x x x x x 10, Electrolytic capacitor
 One-way lead type, Tolerance ±20%
 ⑥ Working voltage
 ⑤ Capacity value

Examples

⑤ Capacity value
 0.1 μF 104 4.7 μF 475 100 μF 107
 0.33 μF 334 10 μF 106 330 μF 337
 1 μF 105 22 μF 226 1100 μF 118
 2200 μF 228
 ⑥ Working voltage
 6.3 V 006 25 V 025
 10 V 010 35 V 035
 16 V 016 50 V 050

6) DF15 x x x 350  Plastic film capacitor
 DF15 x x x 310  One-way type, Mylar ±5% 50V
 DF16 x x x 310  Plastic film capacitor
 One-way type, Mylar ±10% 50V

Examples

⑦ Capacity value
 0.001 μF (1000 pF) 102 0.1 μF 104
 0.0018 μF 182 0.56 μF 564
 0.01 μF 103 1 μF 105
 0.015 μF 153

NOTE 1) The above CODES (R***, R***, C***, C*** and C***) are omitted on the schematic diagram in some case.
 2) On the occasion, be confirmed the common parts on the parts list.
 3) Refer to "Common Parts List" for the other common parts (R105, DD4, DK4).

NOTE ON SAFETY FOR FUSIBLE RESIST OR :

The suppliers and their type numbers of fusible resistors are as follows ;

1. KOA Corporation
 Part No.(MJI) Type No.(KOA) Description
 NH05 x x x 140 RF25S x x x x Ω J ±5% (1/4W)
 NH05 x x x 120 RF50S x x x x Ω J ±5% (1/2W)
 NH85 x x x 110 RF73B2A x x x x Ω J ±5% (1/10W)
 NH95 x x x 140 RF73B2E x x x x Ω J ±5% (1/4W)
 * Resistance value Resistance value(0.1Ω - 10k Ω)

2. Matsushita Electronic Components Co., Ltd
 Part No.(MJI) Type No.(MEC) Description
 NF05 x x x 140 ERD-2FCJ x x x (±5% 1/4W)
 RF05 x x x 140 ERD-2FCG x x x (±2% 1/4W)
 NF02 x x x 140 ERD-2FCG x x x (±2% 1/4W)
 RF02 x x x 140 * Resistance value

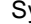
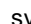
Examples

* Resistance value
 0.1Ω 001 10Ω 100 1kΩ 102 100kΩ 104
 0.5Ω 005 18Ω 180 2.7kΩ 272 680kΩ 684
 1Ω 010 100Ω 101 10kΩ 103 1MΩ 105
 6.8Ω 068 390Ω 391 22kΩ 223 4.7MΩ 475


ABBREVIATION AND MARKS

ANT. : ANTENNA	BATT. : BATTERY
CAP. : CAPACITOR	CER. : CERAMIC
CONN. : CONNECTING	DIG. : DIGITAL
HP : HEADPHONE	MIC. : MICROPHONE
μ-PRO : MICROPROCESSOR	REC. : RECORDING
RES. : RESISTOR	SPK : SPEAKER
SW : SWITCH	TRANSF. : TRANSFORMER
TRIM. : TRIMMING	TRS. : TRANSISTOR
VAR. : VARIABLE	X' TAL : CRYSTAL

NOTE ON SAFETY:

Symbol  Fire or electrical shock hazard. Only original parts should be used to replaced any part marked with symbol  Any other component substitution (other than original type), may increase risk of fire or electrical shock hazard.

安全上の注意 :

 がついている部品は、安全上重要な部品です。必ず指定されている部品番号の部品を使用して下さい。

POS. NO	VERS. COLOR	PART NO. (PCS)	DESCRIPTION	PART NO. (MJI)	POS. NO	VERS. COLOR	PART NO. (PCS)	DESCRIPTION	PART NO. (MJI)
			FRONT (CUP11252)		C829		nsp	CER. 0.1μF 50V Z	nsp
			CIRCUIT BOARD		C833				
			CAPACITORS		C834		nsp	CER. 47pF 50V J	nsp
C233		nsp	ELECT 10μF 50V	nsp	C841				
C234		nsp	ELECT 10μF 50V	nsp	C842		nsp	CER. 100pF 50V K	nsp
C235		nsp	ELECT 10μF 50V	nsp	C847				
C261		nsp	ELECT 470μF 10V	nsp	C848		nsp	ELECT 10μF 16V	nsp
C262		nsp	FILM 0.1μF 50V J	nsp	C849		nsp	CER. 100pF 50V K	nsp
C263		nsp	ELECT 10μF 50V	nsp	C850		nsp	CER. 100pF 50V K	nsp
C264		nsp	FILM 0.1μF 50V J	nsp	C852		nsp	CER. 100pF 50V K	nsp
C265		nsp	ELECT 10μF 50V	nsp	C853		nsp	CER. 100pF 50V K	nsp
C266		nsp	FILM 0.1μF 50V J	nsp	C854		nsp	CER. 100pF 50V K	nsp
C267		nsp	ELECT 10μF 50V	nsp	C856		nsp	ELECT 1μF 50V	nsp
C268		nsp	FILM 0.1μF 50V J	nsp	C857		nsp	CER. 100pF 50V K	nsp
C269		nsp	ELECT 470μF 10V	nsp	C863				
C270		nsp	FILM 0.1μF 50V J	nsp	C864		nsp	CER. 0.01μF 50V Z	nsp
C281		nsp	CER. 0.01μF 50V J	nsp	C865		nsp	CER. 0.01μF 50V Z	nsp
C282		nsp	ELECT 470μF 10V	nsp					
C291		nsp	CER. 0.01μF 50V Z	nsp					
C292		nsp	CER. 0.01μF 50V Z	nsp					
C293		nsp	CER. 0.01μF 50V Z	nsp					
C295		nsp	ELECT 0.1μF 50V J	nsp					
C296		nsp	FILM 10μF 50V	nsp					
C708		nsp	CER. 100pF 50V K	nsp	D701		9965 000 01250	DIODE 1SS131M	*HD201290R
C711		nsp	CER. 0.022μF 50V Z	nsp	D706				
C712		nsp	CER. 100pF 50V K	nsp	D707				
C713		nsp	CER. 0.022μF 50V Z	nsp			4822 130 11608	LED SLR342VCF02	*HI100810R
C714		nsp	ELECT 47μF 6.3V	nsp	D710				
C715		nsp	CER. 0.01μF 50V Z	nsp	D712		4822 130 11608	LED SLR342VCF02	*HI100810R
C716		nsp	CER. 18pF 50V J	nsp	D713		4822 130 11608	LED SLR342VCF02	*HI100810R
C717		nsp	CER. 18pF 50V J	nsp	D714		4822 130 11608	LED SLR342VCF02	*HI100810R
C719		nsp	CER. 0.01μF 50V Z	nsp	D715		9965 000 01250	DIODE 1SS131M	*HD201290R
C720		nsp	ELECT 47μF 6.3V	nsp	D716		9965 000 01250	DIODE 1SS131M	*HD201290R
C722		nsp	CER. 0.022μF 50V Z	nsp	D717		4822 130 30621	DIODE 1N4148	QP13030621
C723		nsp	ELECT 470μF 10V	nsp	D718		9965 000 01250	DIODE 1SS131M	*HD201290R
C724		nsp	ELECT 4.7μF 16V	nsp	D719		9965 000 01250	DIODE 1SS131M	*HD201290R
C726		nsp	CER. 0.022μF 50V Z	nsp	D720		9965 000 01250	DIODE 1SS131M	*HD201290R
C727		nsp	CER. 0.022μF 50V Z	nsp					
C729		nsp	ELECT 47μF 25V	nsp					
C739		nsp	ELECT 47μF 6.3V	nsp					
C740		nsp	ELECT 1μF 50V	nsp	IC27		4822 209 17452	IC BA7626	HC10190210
C741		9965 000 01510	BACK UP 0.1μF 5.5V	*EX000050R	IC28		4822 209 17452	IC BA7626	HC10190210
C743		nsp	ELECT 47μF 25V	nsp	IC71		9965 000 02017	MICROPROCESSOR TMP87PM78F-E175	*HU100360R
C801		nsp	CER. 100pF 50V K	nsp	IC72		4822 209 13744	IR SENSOR GP1U270R	*HW100420R
C802		nsp	CER. 100pF 50V K	nsp	IC81		5322 209 13406	IC NJM2068MD-TE1	*HC104840R
C803		nsp	ELECT 10μF 16V	nsp					
C804		nsp	ELECT 10μF 16V	nsp					
C805		nsp	FILM 0.018μF 63V J	nsp	Q277		4822 130 11624	KSA733CY	*HT100420R
C806		nsp	FILM 0.018μF 63V J	nsp	Q278		4822 130 11624	KSA733CY	*HT100420R
C807		nsp	FILM 0.082μF 63V J	nsp	Q281		4822 130 11624	KSA733CY	*HT100420R
C808		nsp	FILM 0.082μF 63V J	nsp	Q282		4822 130 11624	KSA733CY	*HT100420R
C809		nsp	FILM 0.0033μF 63V J	nsp	Q291		4822 130 60588	DTC114ES	BA20010210
C810		nsp	FILM 0.0033μF 63V J	nsp	Q292		4822 130 60588	DTC114ES	BA20010210
C811		nsp	FILM 0.018μF 63V J	nsp	Q293		4822 130 60588	DTC114ES	BA20010210
C812		nsp	FILM 0.018μF 63V J	nsp	Q703		4822 130 61227	DTA114ES	BA10007210
C813		nsp	CER. 56pF 50V J	nsp	Q704		4822 130 60588	DTC114ES	BA20010210
C814		nsp	CER. 56pF 50V J	nsp	Q705		4822 130 11611	KSA1175Y	*HT100390R
C815		nsp	ELECT 10μF 16V	nsp	Q706		4822 130 11609	KSC2785Y	*HT300590R
		nsp	ELECT 10μF 16V	nsp	Q707		4822 130 60588	DTC114ES	BA20010210
C818		nsp	ELECT 10μF 16V	nsp	Q708		4822 130 60588	DTC114ES	BA20010210
C819		nsp	CER. 0.01μF 50V Z	nsp	Q709		4822 130 61227	DTA114ES	BA10007210
C820		nsp	CER. 0.01μF 50V Z	nsp	Q710				
C825		nsp	CER. 0.022μF 50V Z	nsp			4822 130 60588	DTC114ES	BA20010210
C826		nsp	CER. 0.022μF 50V Z	nsp	Q713				
C827		nsp	CER. 1000pF 50V K	nsp	Q715		4822 130 60588	DTC114ES	BA20010210
C828		nsp	CER. 1000pF 50V K	nsp	Q716		4822 130 60588	DTC114ES	BA20010210
					Q717		4822 130 60588	DTC114ES	BA20010210
					Q718		4822 130 11613	KSB811Y	

POS. NO	VERS. COLOR	PART NO. (PCS)	DESCRIPTION	PART NO. (MJI)	POS. NO	VERS. COLOR	PART NO. (PCS)	DESCRIPTION	PART NO. (MJI)
			RESISTORS						
R233		nsp	10 Ω 1/5W J	nsp	R760		nsp	3.3k Ω 1/5W J	nsp
R234		nsp	10 Ω 1/5W J	nsp	R761		nsp	5.6k Ω 1/5W J	nsp
R235		nsp	10 Ω 1/5W J	nsp	R762		nsp	3.3k Ω 1/5W J	nsp
R261		nsp	68 Ω 1/5W J	nsp	R763		nsp	5.6k Ω 1/5W J	nsp
R262		nsp	68 Ω 1/5W J	nsp	R764		nsp	7.5k Ω 1/5W J	nsp
R263					R765		nsp	5.6k Ω 1/5W J	nsp
∫		nsp	75 Ω 1/5W J	nsp	R766		nsp	7.5k Ω 1/5W J	nsp
R268					R767		nsp	47k Ω 1/5W J	nsp
R269		nsp	68 Ω 1/5W J	nsp	R768		nsp	47k Ω 1/5W J	nsp
R270		nsp	68 Ω 1/5W J	nsp	R769		nsp	100k Ω 1/5W J	nsp
R273					R770		nsp	10k Ω 1/5W J	nsp
∫		nsp	10k Ω 1/5W J	nsp	R771		nsp	10k Ω 1/5W J	nsp
R276					R772		nsp	47k Ω 1/5W J	nsp
R277		nsp	470 Ω 1/5W J	nsp	R773		nsp	1k Ω 1/5W J	nsp
R278		nsp	470 Ω 1/5W J	nsp	R775				
R279		nsp	100 Ω 1/5W J	nsp	∫		nsp	10k Ω 1/5W J	nsp
R280		nsp	100 Ω 1/5W J	nsp	R778				
R281		nsp	470 Ω 1/5W J	nsp	R779		nsp	120 Ω 1/4W J	nsp
R282		nsp	470 Ω 1/5W J	nsp	R780		nsp	120 Ω 1/4W J	nsp
R283					R801		nsp	220k Ω 1/5W J	nsp
∫		nsp	100 Ω 1/5W J	nsp	R802		nsp	220k Ω 1/5W J	nsp
R289					R805		nsp	22k Ω 1/5W J	nsp
R290		nsp	120 Ω 1/4W J	nsp	R806		nsp	22k Ω 1/5W J	nsp
R291		nsp	10k Ω 1/5W J	nsp	R807		nsp	3.9k Ω 1/5W J	nsp
R292		nsp	10k Ω 1/5W J	nsp	R808		nsp	3.9k Ω 1/5W J	nsp
R293		nsp	10k Ω 1/5W J	nsp	R809		nsp	2.2k Ω 1/5W J	nsp
R295		nsp	1k Ω 1/5W J	nsp	R810		nsp	2.2k Ω 1/5W J	nsp
R296		nsp	1k Ω 1/5W J	nsp	R811		nsp	560 Ω 1/4W J	nsp
R703		nsp	1k Ω 1/5W J	nsp	R812		nsp	560 Ω 1/5W J	nsp
R704		nsp	1k Ω 1/5W J	nsp	R813		nsp	1M Ω 1/5W J	nsp
R705		nsp	1k Ω 1/5W J	nsp	R814		nsp	1M Ω 1/5W J	nsp
R707	/U1	nsp	10k Ω 1/5W J	nsp	R815		nsp	56k Ω 1/5W J	nsp
R708	/K1/U1	nsp	10k Ω 1/5W J	nsp	R816		nsp	56k Ω 1/5W J	nsp
R713	/N1/K1	nsp	10k Ω 1/5W J	nsp	R819		nsp	120 Ω 1/4W J	nsp
R714	/N1	nsp	10k Ω 1/5W J	nsp					
R719					R820		nsp	120 Ω 1/4W J	nsp
∫		nsp	330 Ω 1/5W J	nsp	R827		nsp	2.7k Ω 1/5W J	nsp
R723					R828		nsp	2.7k Ω 1/5W J	nsp
R725					R829		nsp	1k Ω 1/5W J	nsp
∫		nsp	10k Ω 1/5W J	nsp	R831		nsp	470 Ω 1/5W J	nsp
R729					R832		nsp	470 Ω 1/5W J	nsp
R730		nsp	1.8k Ω 1/5W J	nsp	R833		nsp	82 Ω 1/5W J	nsp
R731		nsp	3.9k Ω 1/5W J	nsp	R834		nsp	82 Ω 1/5W J	nsp
R732		nsp	10k Ω 1/5W J	nsp	R835		nsp	82 Ω 1/5W J	nsp
R733		nsp	10 Ω 1/5W J	nsp	R836		nsp	470 Ω 1/5W J	nsp
R734		nsp	10 Ω 1/5W J	nsp	R837		nsp	470 Ω 1/5W J	nsp
R736					R839		nsp	2.2k Ω 1/5W J	nsp
∫		nsp	10k Ω 1/5W J	nsp	R840		nsp	2.2k Ω 1/5W J	nsp
R739					R841		nsp	100k Ω 1/5W J	nsp
R741		nsp	22k Ω 1/5W J	nsp	R842		nsp	100k Ω 1/5W J	nsp
R742		nsp	47k Ω 1/4W J	nsp	R843		nsp	47 Ω 1/5W J	nsp
R743		nsp	47k Ω 1/5W J	nsp	R844		nsp	47 Ω 1/5W J	nsp
R744		nsp	2.7k Ω 1/5W J	nsp	R845				
R745		nsp	2.7k Ω 1/5W J	nsp	∫		nsp	470 Ω 1/5W J	nsp
R746		nsp	1k Ω 1/5W J	nsp	R849				
R747		nsp	10 Ω 1/5W J	nsp	R850		nsp	47 Ω 1/5W J	nsp
R748		nsp	1k Ω 1/5W J	nsp	R851		nsp	47 Ω 1/4W J	nsp
R749		nsp	1.5k Ω 1/5W J	nsp	R852		nsp	47 Ω 1/4W J	nsp
R750		nsp	1k Ω 1/5W J	nsp	R853		nsp	47 Ω 1/5W J	nsp
R751		nsp	1.5k Ω 1/5W J	nsp	VR81		9965 000 01297	VOLUME RK14128030214Y	*RM000400R
R752		nsp	1.8k Ω 1/5W J	nsp	VR82		9965 000 01298	VOLUME RK14128030214C	*RM000410R
R753		nsp	1.5k Ω 1/5W J	nsp	VR83		9965 000 01298	VOLUME RK14128030214C	*RM000410R
R754		nsp	1.8k Ω 1/5W J	nsp					
R755		nsp	2.7k Ω 1/5W J	nsp				MISCELLANEOUS	
R756		nsp	1.8k Ω 1/5W J	nsp	BN27		nsp	CONNECTOR	nsp
R757		nsp	2.7k Ω 1/5W J	nsp				MOLEX35237-0810	
R758		nsp	3.3k Ω 1/5W J	nsp	BN72		nsp	WIRE	nsp
R759		nsp	2.7k Ω 1/5W J	nsp	BN74		nsp	WIRE	nsp

POS. NO	VERS. COLOR	PART NO. (PCS)	DESCRIPTION	PART NO. (MJI)	POS. NO	VERS. COLOR	PART NO. (PCS)	DESCRIPTION	PART NO. (MJI)
BN81		nsp	SHIELD WIRE PITCH 2.5MM	nsp	C161		nsp	ELECT 10µF 50V	nsp
BN82		nsp	SHIELD WIRE PITCH 2.0MM	nsp	C162		nsp	ELECT 10µF 50V	nsp
BN83		nsp	WIRE	nsp	C163		nsp		
CN71		nsp	WAFER 52045-2945	nsp	∫		nsp	CER. 22pF 50V J	nsp
CN91	/K1/N1	nsp	WAFER 2PIN	nsp	C166		nsp		
FIP1		9965 000 02016	FLD HNA-10MS15	*HQ300400R	C167		nsp	ELECT 10µF 50V	nsp
JK26					C168		nsp	ELECT 10µF 50V	nsp
∫		9965 000 02018	JACK S-VIDEO (H)	*YT001850R	C169		nsp	CER. 0.01µF 50V Z	nsp
JK30			TCS7927-14-401		C170		nsp	CER. 0.01µF 50V Z	nsp
JK81		9965 000 02019	JACK VCR (S/W) JK029-051(Y)	*YT001920R	C171		nsp	ELECT 10µF 50V	nsp
JK82		9965 000 02020	JACK VCR (S/W) JK029-052(W)	*YT001910R	C172		nsp	ELECT 10µF 50V	nsp
JK83		9965 000 02021	JACK VCR (S/W) JK029-053(R)	*YT001900R	C173		nsp		
JK84		4822 265 11649	JACK HEAD PHONE	*YT001870R	∫		nsp	CER. 22pF 50V J	nsp
			HTJ064-11DG		C176		nsp		
JK85		4822 267 10941	JACK S-VIDEO (V)	*YT001860R	C177		nsp	ELECT 10µF 50V	nsp
			TCS7648-01-201		C178		nsp	ELECT 10µF 50V	nsp
JW71		nsp	WIRE	nsp	C179		nsp	CER. 0.01µF 50V Z	nsp
L281		nsp	COIL 100µH K	nsp	C180		nsp	CER. 0.01µF 50V Z	nsp
L701		nsp	COIL 10µH K	nsp	C185		nsp	CER. 0.01µF 50V Z	nsp
					C197		nsp		
SW81	/K1/N1	4822 276 14105	SW PUSH (MOMS)	*SP000850R	∫	/N1/K1	nsp	CER. 150pF 50V K	nsp
SW82		4822 276 14103	SW PUSH SPUL19XIM071	*SP000860R	C202		nsp		
S701	/N1	9965 000 01263	SW TACT	*SP000890R	C301		nsp	SEMI 0.1µF 50V Z	nsp
S702		9965 000 01263	SW TACT	*SP000890R	C302		nsp	CER. 18pF 50V J	nsp
S703		9965 000 01263	SW TACT	*SP000890R	C303		nsp	ELECT 100µF 16V	nsp
S704	/N1	9965 000 01263	SW TACT	*SP000890R	C306		nsp	CER. 22pF 50V J	nsp
S705		9965 000 01263	SW TACT	*SP000890R	C307		nsp	CER. 22pF 50V J	nsp
S706		9965 000 01263	SW TACT	*SP000890R	C308		nsp	ELECT 10µF 16V	nsp
S707	/N1	9965 000 01263	SW TACT	*SP000890R	C309		nsp	ELECT 10µF 16V	nsp
S708					C310		nsp	SEMI 0.1µF 50V Z	nsp
∫		9965 000 01263	SW TACT	*SP000890R	C311		nsp	SEMI 0.1µF 50V Z	nsp
S722					C312		nsp	CER. 0.1µF 50V Z	nsp
S723	/U1	9965 000 01263	SW TACT	*SP000890R	C313		nsp	CER. 0.1µF 50V Z	nsp
VR71		9965 000 01301	VR ENCODOR	*SR000120R	C314		nsp	CER. 0.1µF 50V Z	nsp
			EC16B1220408A		C315		nsp	ELECT 100µF 16V	nsp
VR84		9965 000 02022	VR ENCODER	*SR000130R	C316		nsp	CER. 0.1µF 50V Z	nsp
			EC16B243040HB		C317		nsp	ELECT 1µF 50V	nsp
X701		4822 242 10855	CRYSTAL 8MHz 16pF	*JX000410R	C318		nsp	FILM 0.047µF 50V J	nsp
			DIGITAL (CUP11253)		C319		nsp	FILM 1000pF 50V J	nsp
			CIRCUIT BOARD		C320		nsp	ELECT 1000µF 6.3V	nsp
			CAPACITORS		C321		nsp	CER. 0.1µF 50V Z	nsp
C111	/N1/K1	nsp	CER. 150pF 50V K	nsp	C322		nsp	CER. 0.1µF 50V Z	nsp
∫					C323		nsp	CER. 0.1µF 50V Z	nsp
C118					C325		nsp	ELECT 1000µF 6.3V	nsp
C119		nsp	ELECT 100µF 35V	nsp	C326		nsp		
∫					∫		nsp	CER. 0.1µF 50V Z	nsp
C122					C331		nsp		
C123		nsp	CER. 0.01µF 50V Z	nsp	C332		nsp	CER. 470pF 50V K	nsp
C124		nsp	CER. 0.01µF 50V Z	nsp	C333		nsp	CER. 33pF 50V J	nsp
C125		nsp	CER. 470pF 50V K	nsp	C334		nsp	CER. 33pF 50V J	nsp
C126		nsp	CER. 470pF 50V K	nsp	C335		nsp	CER. 0.01µF 50V Z	nsp
C127		nsp	CER. 470pF 50V K	nsp	C336		nsp	CER. 0.01µF 50V Z	nsp
C141		nsp	ELECT 100µF 35V	nsp	C337		nsp	CER. 100pF 50V K	nsp
C142		nsp	ELECT 100µF 35V	nsp	C338		nsp	CER. 100pF 50V K	nsp
C143		nsp	CER. 470pF 50V K	nsp	C339		nsp	ELECT 10µF 50V	nsp
C144		nsp	CER. 470pF 50V K	nsp	C340		nsp	ELECT 10µF 50V	nsp
C145		nsp	CER. 470pF 50V K	nsp					
C148		nsp	ELECT 10µF 50V	nsp	C343		nsp	ELECT 10µF 50V	nsp
C149		nsp	CER. 0.01µF 50V Z	nsp	C344		nsp	ELECT 10µF 50V	nsp
C151		nsp	ELECT 10µF 50V	nsp	C345		nsp	FILM 0.0047µF 50V J	nsp
C152		nsp	ELECT 10µF 50V	nsp	C346		nsp	FILM 0.0047µF 50V J	nsp
C153		nsp	CER. 100pF 50V K	nsp	C347		nsp	CER. 220pF 50V K	nsp
C154		nsp	CER. 100pF 50V K	nsp	C348		nsp	CER. 220pF 50V K	nsp
C155		nsp	ELECT 10µF 16V	nsp	C349		nsp	FILM 0.012µF 50V J	nsp
C156		nsp	ELECT 10µF 16V	nsp	C350		nsp	FILM 0.012µF 50V J	nsp
C157		nsp	CER. 0.01µF 50V Z	nsp	C352		nsp	ELECT 1000µF 6.3V	nsp
C158		nsp	CER. 0.01µF 50V Z	nsp	C357		nsp	CER. 0.01µF 50V Z	nsp
					C358		nsp	CER. 0.01µF 50V Z	nsp

POS. NO	VERS. COLOR	PART NO. (PCS)	DESCRIPTION	PART NO. (MJI)	POS. NO	VERS. COLOR	PART NO. (PCS)	DESCRIPTION	PART NO. (MJI)
C359		nsp	ELECT 10µF 50V	nsp				INTEGRATED CIRCUITS	
C360		nsp	ELECT 10µF 50V	nsp	IC11		9965 000 00195	IC TC9164AF	*HC105030R
C361		nsp	FILM 0.0047µF 50V J	nsp	IC13		9965 000 02023	IC TC9482F	*HC105180R
C362		nsp	FILM 0.0047µF 50V J	nsp	IC15		5322 209 13406	IC NJM2068MD-TE1	*HC104840R
C363		nsp	CER. 68pF 50V J	nsp	IC16		5322 209 13406	IC NJM2068MD-TE1	*HC104840R
C364		nsp	CER. 68pF 50V J	nsp	IC17		5322 209 13406	IC NJM2068MD-TE1	*HC104840R
C365		nsp	FILM 0.0027µF 50V J	nsp	IC31		9965 000 01321	IC YSS912-F	HC10014640
C366		nsp	FILM 0.0027µF 50V J	nsp	IC32		4822 209 17157	IC CS4226	*HC104990R
C367		nsp	CER. 220pF 50V K	nsp	IC33		9965 000 02024	IC KM681002CT-15 SRAM	*HC105190R
C368		nsp	CER. 220pF 50V K	nsp	IC34		9965 000 00197	IC TC9162AF	*HC105010R
C369		nsp	ELECT 10µF 50V	nsp	IC35		9965 000 00199	IC TC74HCU04AFN	*HC105040R
C370		nsp	ELECT 10µF 50V	nsp	IC36				
					}		5322 209 13406	IC NJM2068MD-TE1	*HC104840R
C371		nsp	FILM 0.012µF 50V J	nsp	IC39				
C372		nsp	FILM 0.012µF 50V J	nsp	IC41		5322 209 13406	IC NJM2068MD-TE1	*HC104840R
C373		nsp	CER. 0.01µF 50V Z	nsp	IC42		5322 209 13406	IC NJM2068MD-TE1	*HC104840R
C374		nsp	CER. 0.01µF 50V Z	nsp	IC43		9965 000 02025	IC NJU7202L33-T1	*HC700220R
C375		nsp	ELECT 10µF 50V	nsp					
C376		nsp	ELECT 47µF 25V	nsp				TRANSISTORS	
C377		nsp	FILM 0.0047µF 50V J	nsp	Q147		4822 130 11609	KSC2785Y	*HT300590R
C379		nsp	CER. 68pF 50V J	nsp	Q148		4822 130 61227	DTA114ES	BA10007210
C380		nsp	FILM 0.012µF 50V J	nsp	Q149		4822 130 60588	DTC114ES	BA20010210
C381		nsp	FILM 0.0027µF 50V J	nsp	Q185				
C383		nsp	CER. 220pF 50V K	nsp	}		5322 130 60898	KTC2878B	*HT300600R
C384		nsp	FILM 0.0047µF 50V J	nsp	Q190				
C385		nsp	ELECT 10µF 50V	nsp	Q301				
C386		nsp	CER. 150pF 50V K	nsp	}		5322 130 60898	KTC2878B	*HT300600R
C387		nsp	FILM 0.012µF 50V J	nsp	Q306				
C388		nsp	FILM 0.012µF 50V J	nsp				RESISTORS	
C389					R101				
}		nsp	ELECT 10µF 50V	nsp	}		nsp	470 Ω 1/5W J	nsp
C392					R108				
C393		nsp	CER. 0.01µF 50V Z	nsp	R111				
C394		nsp	CER. 0.01µF 50V Z	nsp	}		nsp	100k Ω 1/5W J	nsp
C395		nsp	CER. 100pF 50V K	nsp	R118				
C396		nsp	CER. 100pF 50V K	nsp	R121		nsp	120 Ω 1/5W J	nsp
C399		nsp	CER. 100pF 50V K	nsp	R122		nsp	120 Ω 1/5W J	nsp
C400		nsp	CER. 100pF 50V K	nsp	R123		nsp	470 Ω 1/5W J	nsp
C401		nsp	CER. 0.01µF 50V Z	nsp	R124		nsp	470 Ω 1/5W J	nsp
C410		nsp	ELECT 10µF 50V	nsp	R125		nsp	470 Ω 1/5W J	nsp
C411		nsp	CER. 0.01µF 50V Z	nsp	R137		nsp	2.2k Ω 1/5W J	nsp
C412		nsp	CER. 0.01µF 50V Z	nsp	R138		nsp	2.2k Ω 1/5W J	nsp
C413		nsp	CER. 100pF 50V K	nsp	R141		nsp	120 Ω 1/5W J	nsp
C414		nsp	CER. 100pF 50V K	nsp	R142		nsp	120 Ω 1/5W J	nsp
C417		nsp	CER. 0.01µF 50V Z	nsp	R143		nsp	470 Ω 1/5W J	nsp
C418		nsp	CER. 0.01µF 50V Z	nsp	R144		nsp	470 Ω 1/5W J	nsp
C419		nsp	CER. 470pF 50V K	nsp	R145		nsp	470 Ω 1/5W J	nsp
C420		nsp	CER. 470pF 50V K	nsp	R146		nsp	27k Ω 1/5W J	nsp
C421		nsp	CER. 470pF 50V K	nsp	R147		nsp	10k Ω 1/5W J	nsp
C422					R148		nsp	100k Ω 1/5W J	nsp
}	/N1/K1	nsp	CER. 150pF 50V K	nsp	R149		nsp	220k Ω 1/5W J	nsp
C427									
C429		nsp	ELECT 10µF 50V	nsp	R150		nsp	82k Ω 1/5W J	nsp
C430		nsp	ELECT 10µF 50V	nsp	R151		nsp	33k Ω 1/5W J	nsp
C433		nsp	CER. 18pF 50V J	nsp	R152		nsp	33k Ω 1/5W J	nsp
C434		nsp	CER. 18pF 50V J	nsp	R153		nsp	470 Ω 1/5W J	nsp
C435		nsp	CER. 100pF 50V K	nsp	R154		nsp	470 Ω 1/5W J	nsp
C436		nsp	CER. 100pF 50V K	nsp	R155		nsp	47k Ω 1/5W J	nsp
C437		nsp	CER. 1000pF 50V J	nsp	R156		nsp	47k Ω 1/5W J	nsp
C438					R157		nsp	120 Ω 1/5W J	nsp
}		nsp	CER. 0.01µF 50V Z	nsp	R158		nsp	120 Ω 1/5W J	nsp
C441					R161		nsp	82k Ω 1/5W J	nsp
C442		nsp	CER. 0.1µF 50V Z	nsp	R162		nsp	82k Ω 1/5W J	nsp
C443		nsp	CER. 100pF 50V K	nsp	R163		nsp	10k Ω 1/5W J	nsp
C444		nsp	CER. 100pF 50V K	nsp	R164		nsp	5.1k Ω 1/5W J	nsp
C445		nsp	CER. 33pF 50V J	nsp	R165		nsp	47k Ω 1/5W J	nsp
					R166		nsp	47k Ω 1/5W J	nsp
					R167		nsp	470 Ω 1/5W J	nsp

POS. NO	VERS. COLOR	PART NO. (PCS)	DESCRIPTION	PART NO. (MJI)	POS. NO	VERS. COLOR	PART NO. (PCS)	DESCRIPTION	PART NO. (MJI)
R168		nsp	470 Ω 1/5W J	nsp	R349		nsp	120 Ω 1/5W J	nsp
R169		nsp	120 Ω 1/5W J	nsp	R350		nsp	120 Ω 1/5W J	nsp
R170		nsp	120 Ω 1/5W J	nsp	R351		nsp	47k Ω 1/5W J	nsp
R171		nsp	82k Ω 1/5W J	nsp	R352		nsp	47k Ω 1/5W J	nsp
R172		nsp	82k Ω 1/5W J	nsp	R353		nsp	1k Ω 1/5W J	nsp
R173		nsp	10k Ω 1/5W J	nsp	R354		nsp	1k Ω 1/5W J	nsp
R174		nsp	10k Ω 1/5W J	nsp	R355		nsp	1.2k Ω 1/5W J	nsp
R175		nsp	47k Ω 1/5W J	nsp	R356		nsp	1.2k Ω 1/5W J	nsp
R176		nsp	47k Ω 1/5W J	nsp	R357		nsp	9.1k Ω 1/5W J	nsp
R177		nsp	470 Ω 1/5W J	nsp	R358		nsp	9.1k Ω 1/5W J	nsp
R178		nsp	470 Ω 1/5W J	nsp	R359		nsp	18k Ω 1/5W J	nsp
R179		nsp	120 Ω 1/5W J	nsp	R360		nsp	18k Ω 1/5W J	nsp
R180		nsp	120 Ω 1/5W J	nsp					
R181					R361		nsp	47k Ω 1/5W J	nsp
∫		nsp	47k Ω 1/5W J	nsp	R362		nsp	47k Ω 1/5W J	nsp
R184					R363		nsp	180 Ω 1/5W J	nsp
R185					R364		nsp	180 Ω 1/5W J	nsp
∫		nsp	4.7k Ω 1/5W J	nsp	R365		nsp	120 Ω 1/5W J	nsp
R190					R366		nsp	120 Ω 1/5W J	nsp
R191					R367		nsp	47k Ω 1/5W J	nsp
∫		nsp	470 Ω 1/5W J	nsp	R368		nsp	47k Ω 1/5W J	nsp
R196					R369		nsp	1k Ω 1/5W J	nsp
R197					R370		nsp	1.5k Ω 1/5W J	nsp
∫		nsp	100k Ω 1/5W J	nsp	R371		nsp	1.2k Ω 1/5W J	nsp
R202					R372		nsp	4.7k Ω 1/5W J	nsp
R301		nsp	4.7k Ω 1/5W J	nsp	R373		nsp	9.1k Ω 1/5W J	nsp
R302					R374		nsp	1.5k Ω 1/5W J	nsp
∫		nsp	82 Ω 1/5W J	nsp	R375		nsp	18k Ω 1/5W J	nsp
R305					R376		nsp	12k Ω 1/5W J	nsp
R306		nsp	4.7k Ω 1/5W J	nsp	R377		nsp	47k Ω 1/5W J	nsp
R307		nsp	10k Ω 1/5W J	nsp	R379		nsp	180 Ω 1/5W J	nsp
R308		nsp	4.7k Ω 1/5W J	nsp	R380		nsp	180 Ω 1/5W J	nsp
R309		nsp	10k Ω 1/5W J	nsp					
R310		nsp	4.7k Ω 1/5W J	nsp	R381		nsp	10k Ω 1/5W J	nsp
R311		nsp	10k Ω 1/5W J	nsp	R382		nsp	10k Ω 1/5W J	nsp
R313		nsp	47k Ω 1/5W J	nsp	R383		nsp	27k Ω 1/5W J	nsp
R314		nsp	47k Ω 1/5W J	nsp	R384		nsp	27k Ω 1/5W J	nsp
R315		nsp	10k Ω 1/5W J	nsp	R385		nsp	10k Ω 1/5W J	nsp
R316		nsp	47k Ω 1/5W J	nsp	R386		nsp	10k Ω 1/5W J	nsp
R317		nsp	33 Ω 1/5W J	nsp	R387		nsp	470 Ω 1/5W J	nsp
R318		nsp	1M Ω 1/5W J	nsp	R388		nsp	470 Ω 1/5W J	nsp
R319		nsp	10k Ω 1/5W J	nsp	R389		nsp	47k Ω 1/5W J	nsp
					R390		nsp	47k Ω 1/5W J	nsp
R322		nsp	120 Ω 1/5W J	nsp	R391		nsp	4.7k Ω 1/5W J	nsp
R323		nsp	120 Ω 1/5W J	nsp	R392		nsp	4.7k Ω 1/5W J	nsp
R324		nsp	470 Ω 1/5W J	nsp	R395		nsp	1k Ω 1/5W J	nsp
R325		nsp	470 Ω 1/5W J	nsp	R396		nsp	1k Ω 1/5W J	nsp
R326		nsp	470 Ω 1/5W J	nsp	R397		nsp	47k Ω 1/5W J	nsp
R327		nsp	120 Ω 1/5W J	nsp	R398		nsp	47k Ω 1/5W J	nsp
R328		nsp	120 Ω 1/5W J	nsp	R399		nsp	4.7k Ω 1/5W J	nsp
R329		nsp	4.7k Ω 1/5W J	nsp					
R330		nsp	4.7k Ω 1/5W J	nsp	R400		nsp	4.7k Ω 1/5W J	nsp
R333		nsp	120 Ω 1/5W J	nsp	R401		nsp	2.2 Ω 1/5W J	nsp
R334		nsp	120 Ω 1/5W J	nsp	R402		nsp	120 Ω 1/5W J	nsp
R335		nsp	47k Ω 1/5W J	nsp	R403		nsp	10k Ω 1/5W J	nsp
R336		nsp	47k Ω 1/5W J	nsp	R404		nsp	10k Ω 1/5W J	nsp
R337		nsp	9.1k Ω 1/5W J	nsp	R405		nsp	82 Ω 1/5W J	nsp
R338		nsp	9.1k Ω 1/5W J	nsp	R406		nsp	82 Ω 1/5W J	nsp
R339		nsp	1.5k Ω 1/5W J	nsp	R407		nsp	82 Ω 1/5W J	nsp
					R409		nsp	1k Ω 1/5W J	nsp
R340		nsp	1.5k Ω 1/5W J	nsp	R410		nsp	1k Ω 1/5W J	nsp
R341		nsp	27k Ω 1/5W J	nsp	R411		nsp	4.7k Ω 1/5W J	nsp
R342		nsp	27k Ω 1/5W J	nsp	R412		nsp	4.7k Ω 1/5W J	nsp
R343		nsp	1.5k Ω 1/5W J	nsp	R413		nsp	47k Ω 1/5W J	nsp
R344		nsp	1.5k Ω 1/5W J	nsp	R414		nsp	47k Ω 1/5W J	nsp
R345		nsp	47k Ω 1/5W J	nsp	R415		nsp	120 Ω 1/5W J	nsp
R346		nsp	47k Ω 1/5W J	nsp	R416		nsp	120 Ω 1/5W J	nsp
R347		nsp	180 Ω 1/5W J	nsp	R419		nsp	82k Ω 1/5W J	nsp
R348		nsp	180 Ω 1/5W J	nsp	R424		nsp	4.7 Ω 1/5W J	nsp

POS. NO	VERS. COLOR	PART NO. (PCS)	DESCRIPTION	PART NO. (MJI)	POS. NO	VERS. COLOR	PART NO. (PCS)	DESCRIPTION	PART NO. (MJI)
INTEGRATED CIRCUITS									
IC01		4822 209 71785	IC LA1266	HC10222030	R070	/N1/K1	nsp	3.3k Ω 1/5W J	nsp
IC02		4822 209 70261	IC LA3410	HC10198030	R070	/U1	nsp	2.7k Ω 1/5W J	nsp
IC03		5322 209 13406	IC NJM2068MD-TE1	*HC104840R	R071		nsp	47k Ω 1/5W J	nsp
IC04		4822 209 15778	IC LC72131M	*HC104820R	R072		nsp	5.6k Ω 1/5W J	nsp
IC05	/N1	4822 209 17453	IC BFU1923F	*HC104810R	R073	/N1/K1	nsp	91k Ω 1/5W J	nsp
TRANSISTORS									
Q011		4822 130 63385	KTC31920	*HT300480R	R073	/U1	nsp	75k Ω 1/5W J	nsp
Q012		4822 130 63385	KTC31920	*HT300480R	R074	/N1/K1	nsp	91k Ω 1/5W J	nsp
Q013		4822 130 62787	DTA114YS	*BA000190R	R074	/U1	nsp	75k Ω 1/5W J	nsp
Q014		4822 130 62787	DTA114YS	*BA000190R	R075		nsp	150k Ω 1/5W J	nsp
Q015		4822 130 63659	DTC143TS	*BA000700R	R076		nsp	150k Ω 1/5W J	nsp
Q016		4822 130 63659	DTC143TS	*BA000700R	R077		nsp	10k Ω 1/5W J	nsp
Q017		4822 130 61187	DTA114TS	BA10009210	R078		nsp	10k Ω 1/5W J	nsp
RESISTORS									
R011		nsp	390 Ω 1/5W J	nsp	R080		nsp	3.3k Ω 1/5W J	nsp
R012		nsp	120 Ω 1/5W J	nsp	R083		nsp		
R013		nsp	15k Ω 1/5W J	nsp	R084		nsp	1k Ω 1/5W J	nsp
R014		nsp	5.6k Ω 1/5W J	nsp	R085		nsp	10k Ω 1/5W J	nsp
R015		nsp	1.2k Ω 1/5W J	nsp	R086		nsp	560 Ω 1/5W J	nsp
R016		nsp	820k Ω 1/5W J	nsp	R087		nsp	5.6k Ω 1/5W J	nsp
R017		nsp	560 Ω 1/5W J	nsp	R088		nsp	10k Ω 1/5W J	nsp
R018		nsp	470k Ω 1/5W J	nsp	R089	/N1	nsp	10 Ω 1/4W J	nsp
R019		nsp	270 Ω 1/5W J	nsp	R090	/N1	nsp	470 Ω 1/5W J	nsp
R020		nsp	1.8k Ω 1/5W J	nsp	R093		nsp	3.3k Ω 1/5W J	nsp
R021		nsp	15k Ω 1/5W J	nsp	R095		nsp	390 Ω 1/4W J	nsp
R022		nsp	2.7k Ω 1/5W J	nsp	R097		nsp	1 Ω 1/5W J	nsp
R023		nsp	15k Ω 1/5W J	nsp	VR01		9965 000 02028	TRIM 47k Ω	*RA000960R
R024		nsp	2.7k Ω 1/5W J	nsp	VR02		9965 000 02029	TRIM 22k Ω	*RA000950R
R025	/U1	nsp	120 Ω 1/5W J	nsp	VR04		9965 000 02028	TRIM 47k Ω	*RA000960R
R025	/N1/K1	nsp	1k Ω 1/5W J	nsp	MISCELLANEOUS				
R026		nsp	1k Ω 1/5W J	nsp	CF01		4822 242 11039	FILTER CERAMIC SFE10.7MS8H-A-T	*FF100230R
R027		nsp	100k Ω 1/5W J	nsp	CF02		4822 242 11039	FILTER CERAMIC SFE10.7MS8H-A-T	*FF100230R
R028		nsp	470 Ω 1/4W J	nsp	CF03		4822 242 10853	FILTER CERAMIC SFZ450F	FF10045290
R029		nsp	120 Ω 1/5W J	nsp	CN11		nsp	CONNECTOR MOLEX35237-1310	nsp
R030		nsp	100k Ω 1/5W J	nsp	FP11		9965 000 01266	TUNER PACK FTA4460H	*AV000060R
R031	/N1/K1	nsp	22k Ω 1/5W J	nsp	JK01	/N1/K1	4822 265 11601	TREMINAL ANT.	*YT001500R
R031	/U1	nsp	33k Ω 1/5W J	nsp	JK01	/U1		TREMINAL ANT.	*YT001630R
R032		nsp	82 Ω 1/5W J	nsp	JW01		nsp	WIRE ASSY	nsp
R033		nsp	22k Ω 1/5W J	nsp	L010		nsp	COIL 10μH 16V	nsp
R034		nsp	100k Ω 1/5W J	nsp	L012		9965 000 01253	COIL AM ANT2	*TC000360R
R035		nsp	10k Ω 1/4W J	nsp	L013		4822 157 11484	COIL AM OSC	*LO000060R
R036	/N1	nsp	5.6k Ω 1/5W J	nsp	L015	/N1	4822 157 11873	COIL	*LC107220R
R036	/U1	nsp	12k Ω 1/5W J	nsp	L017		4822 157 11487	COIL MPX	*LS000060R
R036	/K1	nsp	3.3k Ω 1/5W J	nsp	L018		4822 157 11487	COIL MPX	*LS000060R
R037		nsp	82 Ω 1/5W J	nsp	T011		4822 157 11861	IFT FM	*LA000110R
R038	/N1	nsp	39k Ω 1/5W J	nsp	T012		4822 157 11489	IFT FM	*LI000070R
R038	/N1/K1	nsp	5.6k Ω 1/5W J	nsp	T013		9965 000 01267	IFT AM	*TC000370R
R039		nsp	1k Ω 1/5W J	nsp	X011		4822 242 82242	FILTER CERAMIC BFU450C4N	*FF100190R
R041		nsp	6.8k Ω 1/5W J	nsp	X012		4822 242 72333	CRYSTAL 7.2MHz 20pF	JX07001261
R053		nsp	3.3k Ω 1/5W J	nsp	X013	/N1	4822 242 11042	CRYSTAL 4.332MHz 20pF	*JX000540R
R056		nsp	3.3k Ω 1/5W J	nsp	X014		4822 242 81117	RESONATOR CSB456F11	FQ04563010
R057		nsp	1.2k Ω 1/5W J	nsp	POWER (CUP11255)				
R058		nsp	1.2k Ω 1/5W J	nsp	CIRCUIT BOARD				
R059		nsp	1k Ω 1/5W J	nsp	CAPACITORS				
R060		nsp	1k Ω 1/5W J	nsp	C211		nsp	CER. 150pF 50V K	nsp
R061		nsp	120 Ω 1/5W J	nsp	∫	/N1/K1	nsp		
R062		nsp	120 Ω 1/5W J	nsp	C218		nsp		
R063		nsp	100k Ω 1/5W J	nsp	C221		nsp	CER. 150pF 50V K	nsp
R064		nsp	100k Ω 1/5W J	nsp	C223		nsp	CER. 150pF 50V K	nsp
R065		nsp	10k Ω 1/5W J	nsp	C224		nsp	CER. 150pF 50V K	nsp
R066		nsp	10k Ω 1/5W J	nsp	C225		nsp	ELECT 100μF 35V	nsp
R067		nsp	270 Ω 1/4W J	nsp	C226		nsp	ELECT 100μF 35V	nsp
R069	/N1/K1	nsp	3.3k Ω 1/5W J	nsp	C227		nsp	CER. 0.01 μF 50V Z	nsp
R069	/U1	nsp	2.7k Ω 1/5W J	nsp	C228		nsp	CER. 0.01 μF 50V Z	nsp
					C229		nsp	CER. 470pF 50V K	nsp

POS. NO	VERS. COLOR	PART NO. (PCS)	DESCRIPTION	PART NO. (MJI)	POS. NO	VERS. COLOR	PART NO. (PCS)	DESCRIPTION	PART NO. (MJI)
			MAIN (CUP11256) CIRCUIT BOARD CAPACITORS						
C441		nsp	CER. 150pF 50V K	nsp	C941		nsp	FILM 0.1µF 50V Z	nsp
C442		nsp	CER. 150pF 50V K	nsp	C942		nsp	FILM 0.1µF 50V Z	nsp
C443		nsp	CER. 150pF 50V K	nsp	C943				
C444					∆ C947		nsp	FILM 0.022µF 50V J	nsp
∫		nsp	CER. 0.01µF 50V Z	nsp	C946				
C447					∆ C948	4822 124 12414	ELECT 2200µF 35V		*EA000850R
C448		nsp	ELECT 47µF 25V	nsp	∆ C949	4822 124 12414	ELECT 2200µF 35V		*EA000850R
C449		nsp	ELECT 10µF 50V	nsp	C950	9965 000 02033	ELECT 3300µF 16V		*EA000930R
C450		nsp	CER. 0.01µF 50V Z	nsp	C951		nsp	ELECT 1µF 50V	nsp
C451		nsp	ELECT 10µF 50V	nsp	C952		nsp	ELECT 47µF 50V	nsp
C452		nsp	ELECT 10µF 50V	nsp	C953		nsp	ELECT 47µF 50V	nsp
C453		nsp	CER. 100pF 50V K	nsp	C954		nsp	ELECT 22µF 50V	nsp
C454		nsp	CER. 100pF 50V K	nsp	C955		nsp	ELECT 22µF 50V	nsp
C455		nsp	ELECT 10µF 50V	nsp	C956		nsp	ELECT 4.7µF 50V	nsp
C456		nsp	ELECT 10µF 50V	nsp	C957		nsp	CER. 100pF 50V K	nsp
C457		nsp	CER. 0.01µF 50V Z	nsp	C958		nsp	ELECT 100µF 35V	nsp
C458		nsp	CER. 100pF 50V K	nsp	C959		nsp	ELECT 470µF 10V	nsp
C459		nsp	CER. 100pF 50V K	nsp	C961		nsp	ELECT 470µF 10V	nsp
C460		nsp	CER. 100pF 50V K	nsp	C962		nsp	ELECT 4.7µF 50V	nsp
C461		nsp	ELECT 10µF 16V	nsp	C963		nsp	CER. 0.01µF 50V Z	nsp
C462		nsp	ELECT 10µF 16V	nsp	C964		nsp	CER. 0.01µF 50V Z	nsp
C463		nsp	CER. 100pF 50V K	nsp	C965		nsp	CER. 0.001µF 50V K	nsp
C464		nsp	CER. 100pF 50V K	nsp	C966		nsp	CER. 150pF 50V K	nsp
C465		nsp	ELECT 10µF 50V	nsp	C967		nsp	ELECT 10µF 50V	nsp
C466		nsp	ELECT 10µF 50V	nsp	C968		nsp	ELECT 47µF 25V	nsp
C467					C970				
∫		nsp	CER. 0.01µF 50V Z	nsp	∫		nsp	CER. 0.01µF 50V Z	nsp
C470					C974				
C471		nsp	ELECT 10µF 50V	nsp	C975		nsp	ELECT 47µF 25V	nsp
C472		nsp	ELECT 10µF 50V	nsp	C976		nsp	ELECT 10µF 50V	nsp
C473		nsp	CER. 100pF 50V K	nsp	C977				
C474		nsp	CER. 100pF 50V K	nsp	∫		nsp	CER. 0.01µF 50V Z	nsp
C475		nsp	ELECT 10µF 50V	nsp	C980				
C476		nsp	ELECT 10µF 50V	nsp	C981		nsp	CER. 470pF 50V K	nsp
C477		nsp	CER. 0.01µF 50V Z	nsp	C982		nsp	CER. 470pF 50V K	nsp
C478		nsp	CER. 0.01µF 50V Z	nsp	C983		nsp	CER. 470pF 50V K	nsp
C479		nsp	ELECT 10µF 50V	nsp	C984		nsp	CER. 100pF 50V K	nsp
C481		nsp	ELECT 10µF 50V	nsp	C985		nsp	CER. 100pF 50V K	nsp
C482		nsp	ELECT 10µF 50V	nsp	C986		nsp	CER. 0.01µF 50V Z	nsp
C483		nsp	CER. 100pF 50V K	nsp	C987		nsp	CER. 0.01µF 50V Z	nsp
C484		nsp	CER. 100pF 50V K	nsp	C988		nsp	CER. 0.01µF 50V Z	nsp
C485		nsp	ELECT 10µF 50V	nsp	C990		nsp	CER. 100pF 50V K	nsp
C486		nsp	ELECT 10µF 50V	nsp					
C487		nsp	CER. 0.01µF 50V Z	nsp	∆ D931	9965 000 02034	DIODE GBJ1504 BRIDGE		*HE200250R
C488		nsp	CER. 0.01µF 50V Z	nsp	∆ D941				
C489		nsp	FILM 0.0022µF 50V J	nsp	∫		4822 130 31878	DIODE 1N4003	HD200010AR
C490		nsp	FILM 0.0022µF 50V J	nsp	∆ D946				
C491		nsp	CER. 0.01µF 50V Z	nsp	∆ D949				
C492		nsp	CER. 100pF 50V K	nsp	∫		4822 130 31878	DIODE 1N4003	HD200010AR
C493		nsp	CER. 22pF 50V J	nsp	∆ D952				
C494		nsp	CER. 100pF 50V K	nsp	∆ D953	9965 000 02035	ZENER 33V 1/2W		*HD301740R
C495		nsp	CER. 22pF 50V J	nsp	∆ D955	9965 000 01304	ZENER 6.2V 1/2W		*HD301710R
C496		nsp	CER. 100pF 50V K	nsp	∆ D965	4822 130 31878	DIODE 1N4003		HD200010AR
C497		nsp	CER. 100pF 50V K	nsp	D968	9965 000 01250	DIODE 1SS131M		*HD201290R
C498		nsp	CER. 100pF 50V K	nsp	D971				
C499		nsp	CER. 0.01µF 50V Z	nsp	∫		9965 000 01250	DIODE 1SS131M	*HD201290R
C931		nsp	FILM 0.12µF 63V J	nsp	D974				
C932		nsp	FILM 0.047µF 50V J	nsp	D976	9965 000 01250	DIODE 1SS131M		*HD201290R
C933		nsp	FILM 0.047µF 50V J	nsp					
∆ C935	/K1/U1		ELECT 10000µF 80V	*EA000950R	∆ IC95	4822 209 83317	IC NJM7815FA		HC3891509F
∆ C935	/N1	9965 000 02032	ELECT 10000µF 75V	*EA000960R	∆ IC96	4822 209 61256	IC NJM7915FA		HC39915090
∆ C936	/K1/U1		ELECT 10000µF 80V	*EA000950R	∆ IC97	4822 209 73674	IC NJM7806FA		HC38906090
∆ C936	/N1	9965 000 02032	ELECT 10000µF 75V	*EA000960R	∫				
C940		nsp	CER. 0.1µF 50V Z	nsp	IC45				
					∫		5322 209 13406	IC NJM2068MD-TE1	*HC104840R
					IC48				

POS. NO	VERS. COLOR	PART NO. (PCS)	DESCRIPTION	PART NO. (MJI)	POS. NO	VERS. COLOR	PART NO. (PCS)	DESCRIPTION	PART NO. (MJI)
TRANSISTORS					R946		nsp	2.2 Ω 1/4W J	nsp
Q953		4822 130 11621	KTA1271Y	*BA000760R	R947		nsp	47k Ω 1/5W J	nsp
Q954		4822 130 60588	DTC114ES	BA20010210	R948		nsp	47k Ω 1/5W J	nsp
Q955		4822 130 11609	KSC2785Y	*HT300590R	R949		nsp	22k Ω 1/4W J	nsp
Q956		4822 130 11609	KSC2785Y	*HT300590R	R950		nsp	10k Ω 1/4W J	nsp
Q957		4822 130 61227	DTA114ES	BA10007210	R952		nsp	220 Ω 1/5W J	nsp
Q962		4822 130 61227	DTA114ES	BA10007210	R953		nsp	1k Ω 1/5W J	nsp
Q963		4822 130 60588	DTC114ES	BA20010210	R954		nsp	100k Ω 1/5W J	nsp
Q964		4822 130 60588	DTC114ES	BA20010210	R955		nsp	22 Ω 1/5W J	nsp
Q965		4822 130 61227	DTA114ES	BA10007210	R956		∫		
Q966		4822 130 61227	DTA114ES	BA10007210			nsp	33k Ω 1/5W J	nsp
Q967		4822 130 11609	KSC2785Y	*HT300590R	R960				
Q971					R961		nsp	1.5k Ω 1/5W J	nsp
∫		4822 130 60588	DTC114ES	BA20010210	R962		nsp	47k Ω 1/5W J	nsp
Q974					R963		nsp	47k Ω 1/5W J	nsp
Q975		4822 130 61227	DTA114ES	BA10007210	R964		nsp	680 Ω 1/5W J	nsp
Q976		4822 130 61227	DTA114ES	BA10007210	R965		nsp	10k Ω 1/5W J	nsp
Q977		4822 130 60588	DTC114ES	BA20010210	R966		nsp	22k Ω 1/5W J	nsp
Q978		4822 130 61227	DTA114ES	BA10007210	R967		nsp	10k Ω 1/5W J	nsp
RESISTORS					R968		nsp	10k Ω 1/5W J	nsp
R449		nsp	1 Ω 1/4W J	nsp	R969		4822 053 10391	390 Ω 1W J METAL	GA05391010
R451		nsp	100k Ω 1/5W J	nsp	R970		4822 053 10391	390 Ω 1W J METAL	GA05391010
R452		nsp	100k Ω 1/5W J	nsp	R971				
R455		nsp	47k Ω 1/5W J	nsp	∫		nsp	100 Ω 1/4W J	nsp
R456		nsp	47k Ω 1/5W J	nsp	R974				
R457		nsp	120 Ω 1/5W J	nsp	R976		nsp	2.2 Ω 1/5W J	nsp
R458		nsp	120 Ω 1/5W J	nsp	R979		nsp	1 Ω 1/4W J	nsp
R459		nsp	1.5k Ω 1/5W J	nsp	MISCELLANEOUS				
R460		nsp	1.5k Ω 1/5W J	nsp	BN94		nsp	WAFER 2461-10	nsp
R461		nsp	47k Ω 1/5W J	nsp	CN11		nsp	WAFER MOLEX35336-1310	nsp
R462		nsp	47k Ω 1/5W J	nsp	CN12		nsp	WAFER MOLEX35336-1510	nsp
R465		nsp	47k Ω 1/5W J	nsp	CN13		nsp	WAFER MOLEX35336-1510	nsp
R466		nsp	47k Ω 1/5W J	nsp	CN21		nsp	WAFER MOLEX35336-1310	nsp
R467		nsp	120 Ω 1/5W J	nsp	CN25		nsp	WAFER MOLEX35336-0810	nsp
R468		nsp	120 Ω 1/5W J	nsp	CN27		nsp	WAFER MOLEX35336-0810	nsp
R469		nsp	10 Ω 1/4W J	nsp	CN31		nsp	WAFER MOLEX35336-1510	nsp
R471		nsp	47k Ω 1/5W J	nsp	CN32		nsp	WAFER MOLEX35336-1510	nsp
R472		nsp	47k Ω 1/5W J	nsp	CN52		nsp	WAFER	nsp
R475		nsp	47k Ω 1/5W J	nsp	CN53		nsp	WAFER	nsp
R476		nsp	47k Ω 1/5W J	nsp	CN71		nsp	WAFER 52045-2945	nsp
R477		nsp	120 Ω 1/5W J	nsp	CN74		nsp	WAFER	nsp
R478		nsp	120 Ω 1/5W J	nsp	CN82		nsp	WAFER	nsp
R479		nsp	10 Ω 1/5W J	nsp	CN83		nsp	WAFER MOLEX 5267-05A	nsp
R480		nsp	2.2 Ω 1/5W J	nsp	CN93		nsp	WAFER 53291(5PIN)	nsp
R481		nsp	47k Ω 1/5W J	nsp	CN96		nsp	WAFER MOLEX35313-0310	nsp
R482		nsp	47k Ω 1/5W J	nsp	CN97		nsp	WAFER	nsp
R485		nsp	47k Ω 1/5W J	nsp	JW95		nsp	WIRE ASSY	nsp
R486		nsp	47k Ω 1/5W J	nsp	L901		9965 000 00221	COIL FERRITE	*FN000090R
R487		nsp	120 Ω 1/5W J	nsp	RY95		9965 000 02036	RELAY OSA-SS-212DM5	*LY000210R
R488		nsp	120 Ω 1/5W J	nsp	RY96		9965 000 02031	RELAY SDT-S-112DMR	*LY000230R
R489		nsp	2.2 Ω 1/4W J	nsp	RY97		9965 000 02036	RELAY OSA-SS-212DM5	*LY000210R
R490		nsp	2.2 Ω 1/5W J	nsp	RY98		4822 280 60592	RELAY G5Z-2A-DC12V	*LY000220R
R492		nsp	4.7k Ω 1/5W J	nsp	S401		4822 276 14107	SW TACT	*SP000880R
R493		nsp	1.8k Ω 1/5W J	nsp	TH91		9965 000 02037	POSISTOR P42T7D330B	*HP000060R
R494		nsp	4.7k Ω 1/5W J	nsp	AMP (CUP11286)				
R495		nsp	4.7k Ω 1/5W J	nsp	CIRCUIT BOARD				
R496		nsp	4.7k Ω 1/5W J	nsp	CAPACITORS				
R497		nsp	4.7k Ω 1/5W J	nsp	C501				
R498		nsp	4.7k Ω 1/5W J	nsp	∫		nsp	ELECT 10μF 50V	nsp
R931		nsp	10k Ω 1/4W J	nsp	C505				
R935		nsp	100k Ω 1/4W J	nsp	C506				
R936		nsp	100k Ω 1/4W J	nsp	∫		nsp	CER. 470pF 50V K	nsp
▲ R941					C510				
∫		4822 117 13653	0.47 Ω 1W J FUSE	*NH000080R					
▲ R944									
R945		nsp	2.2 Ω 1/4W J	nsp					

POS. NO	VERS. COLOR	PART NO. (PCS)	DESCRIPTION	PART NO. (MJI)	POS. NO	VERS. COLOR	PART NO. (PCS)	DESCRIPTION	PART NO. (MJI)
C521		nsp	CER. 680pF 50V K	nsp	Q681		4822 130 11609	KSC2785Y	*HT300590R
C525					Q685				
C561		nsp	ELECT 470µF 10V	nsp	Q699		4822 130 11617	KSC2316Y	*HT300580R
C565					RESISTORS				
C601		nsp	CER. 15pF 50V J	nsp	▲ R491		nsp	1 Ω 1/4W J	nsp
C605					▲ R500				
C606		nsp	CER. 180pF 50V K	nsp	R501		nsp	1k Ω 1/5W J	nsp
C610					R505				
C611		nsp	ELECT 10µF 50V	nsp	R506		nsp	33k Ω 1/5W J	nsp
C615					R510				
▲ C631			ELECT 330µF 100V	*EA000940R	R511		nsp	15 Ω 1/5W J	nsp
▲ C640					R520				
C641		nsp	ELECT 10µF 50V	nsp	R521		nsp	680 Ω 1/5W J	nsp
C645					R525				
C681		nsp	ELECT 10µF 50V	nsp	R526		nsp	68 Ω 1/5W J	nsp
C685					R530				
C686		nsp	CER. 470pF 50V K	nsp	R531		nsp	1.5k Ω 1/5W J	nsp
C691		nsp	ELECT 47µF 50V	nsp	R540				
C692		nsp	ELECT 10µF 50V	nsp	R541		nsp	270 Ω 1/5W J	nsp
DIODES					R545				
D551		9965 000 01250	DIODE 1SS131M	*HD201290R	R551		nsp	47k Ω 1/5W J	nsp
D560					R555				
D581		9965 000 01250	DIODE 1SS131M	*HD201290R	R556		nsp	33k Ω 1/5W J	nsp
D586					R560				
TRANSISTORS					R561		nsp	1.2k Ω 1/5W J	nsp
Q511		4822 130 11615	KTA1268GR	*HT100400R	R565				
Q520					R566		nsp	560 Ω 1/5W J	nsp
Q541		4822 130 11615	KTA1268GR	*HT100400R	R590				
Q545					R591		nsp	4.7k Ω 1/5W J	nsp
Q556		4822 130 11616	KTC3200GR	*HT300610R	R600				
Q565					R601		nsp	22k Ω 1/5W J	nsp
Q581		4822 130 11615	KTA1268GR	*HT100400R	R610				
Q585					R611		nsp	560 Ω 1/5W J	nsp
▲ Q611		4822 130 63899	2SC4137V	*HT300660R	R615				
▲ Q615					R616		nsp	22k Ω 1/5W J	nsp
▲ Q621		4822 130 11485	2SA13600	*HT100410R	R620				
▲ Q625					R621		nsp	82 Ω 1/5W J	nsp
▲ Q626		4822 130 61009	2SC34230	*HT300620R	R630				
▲ Q630					▲ R631		nsp	82 Ω 1/4W J	nsp
▲ Q641		4822 130 11618	2SC4883A	*HT300570R	▲ R645				
▲ Q645					!R646		nsp	2.2 Ω 1/4W J	nsp
▲ Q646		4822 130 11619	2SA1859A(SAN)	*HT100380R	▲ R655				
▲ Q650					▲ R661		4822 117 13654	CEMENT(X2) 0.22/5 W	*GO000006R
▲ Q656		4822 130 10962	2SC3856	HT338562C3	▲ R665				
▲ Q660					▲ R667		nsp	47 Ω 1/4W J	nsp
▲ Q661		4822 130 10963	2SA1492	HT114922C3	▲ R670				
▲ Q665									

POS. NO	VERS. COLOR	PART NO. (PCS)	DESCRIPTION	PART NO. (MJI)
R671 }		nsp	1k Ω 1/5W J	nsp
R675 R676 }		nsp	2.2k Ω 1/5W J	nsp
R680 R681 }		nsp	1k Ω 1/5W J	nsp
R685 R686 }		nsp	10k Ω 1/5W J	nsp
R690 R691		nsp	33k Ω 1/5W J	nsp
R692		nsp	150 Ω 1/5W J	nsp
R693 }		nsp	1.5k Ω 1/5W J	nsp
R697 R699		nsp	33k Ω 1/5W J	nsp
			MISCELLANEOUS	
BN52		nsp	WIRE ASSY 2.5MM (9P)	nsp
BN53		nsp	WIRE ASSY 2.5MM (9P)	nsp
CN51		nsp	WAFER	nsp
▲ F901	/N1/K1	9965 000 02038	FUSE T 5A L 250V	*FS000700R
▲ F901	/U1		FUSE SB 8A L 250V	*FS000710R
FFC1			FFC 1.25Pich 29P	*YU000580R
L667		4822 157 11872	COIL 0.5 μ H K	*LC107210R
L668		4822 157 11872	COIL 0.5 μ H K	*LC107210R